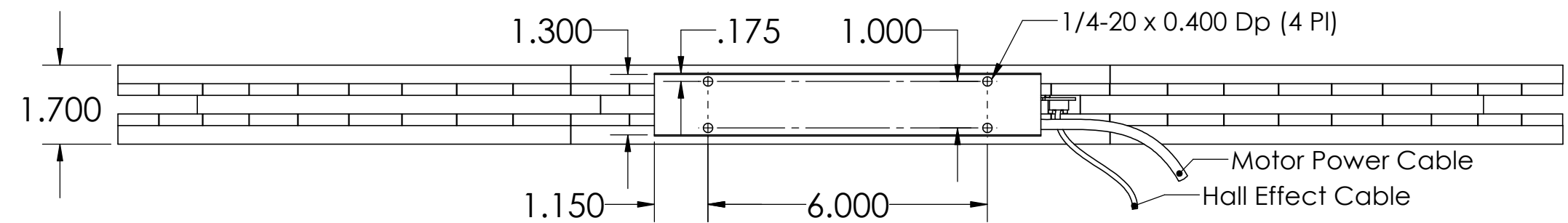
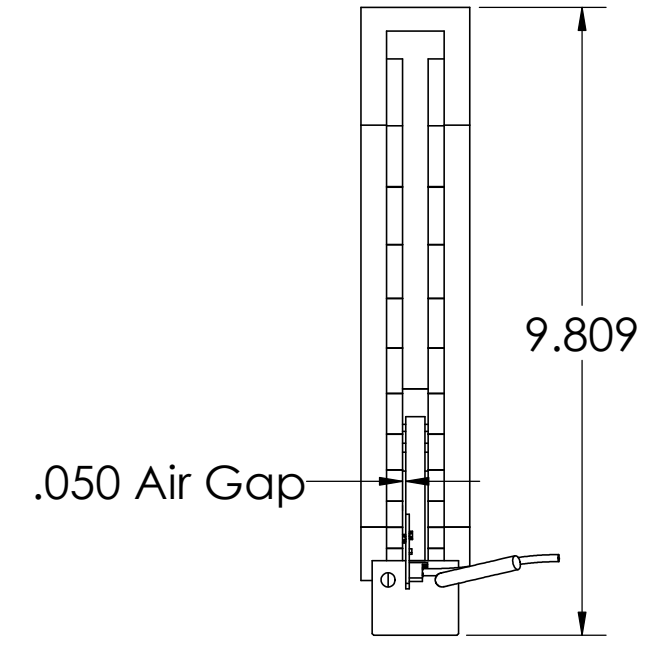
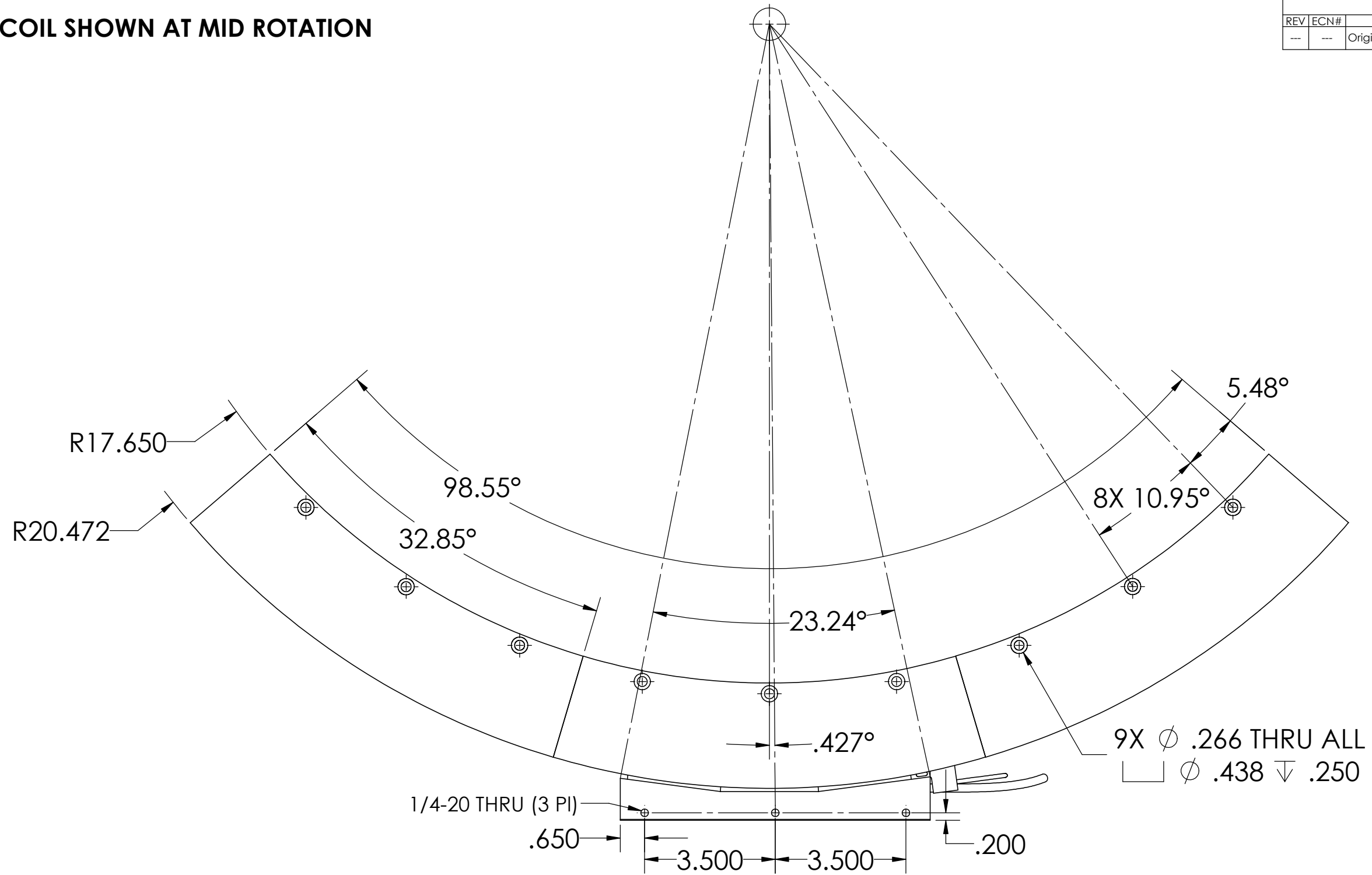


COIL SHOWN AT MID ROTATION

REVISION TABLE					
REV	ECN#	DESCRIPTION	REV BY	APPROVED	DATE
--	--	Original Drawing	OOG	MPW	8-1-16



Arc Segmented 3 Phase Brushless Rotary Motor

1

2

3

4

5

A

A

B

B

C

C

D

D

Motor Specifications	
Angular Displacement	70°
Continuous Torque	480 in-lbs [53 Nm]
Peak Torque	1440 in-lbs [159 Nm]
Continuous Current	4 amps
Peak Current	12 amps

MOTOR DISPLAYED AT 0° (MIN) DISPLACEMENT

MOTOR DISPLAYED AT 35° (MID) DISPLACEMENT

MOTOR DISPLAYED AT 70° (MAX) DISPLACEMENT

