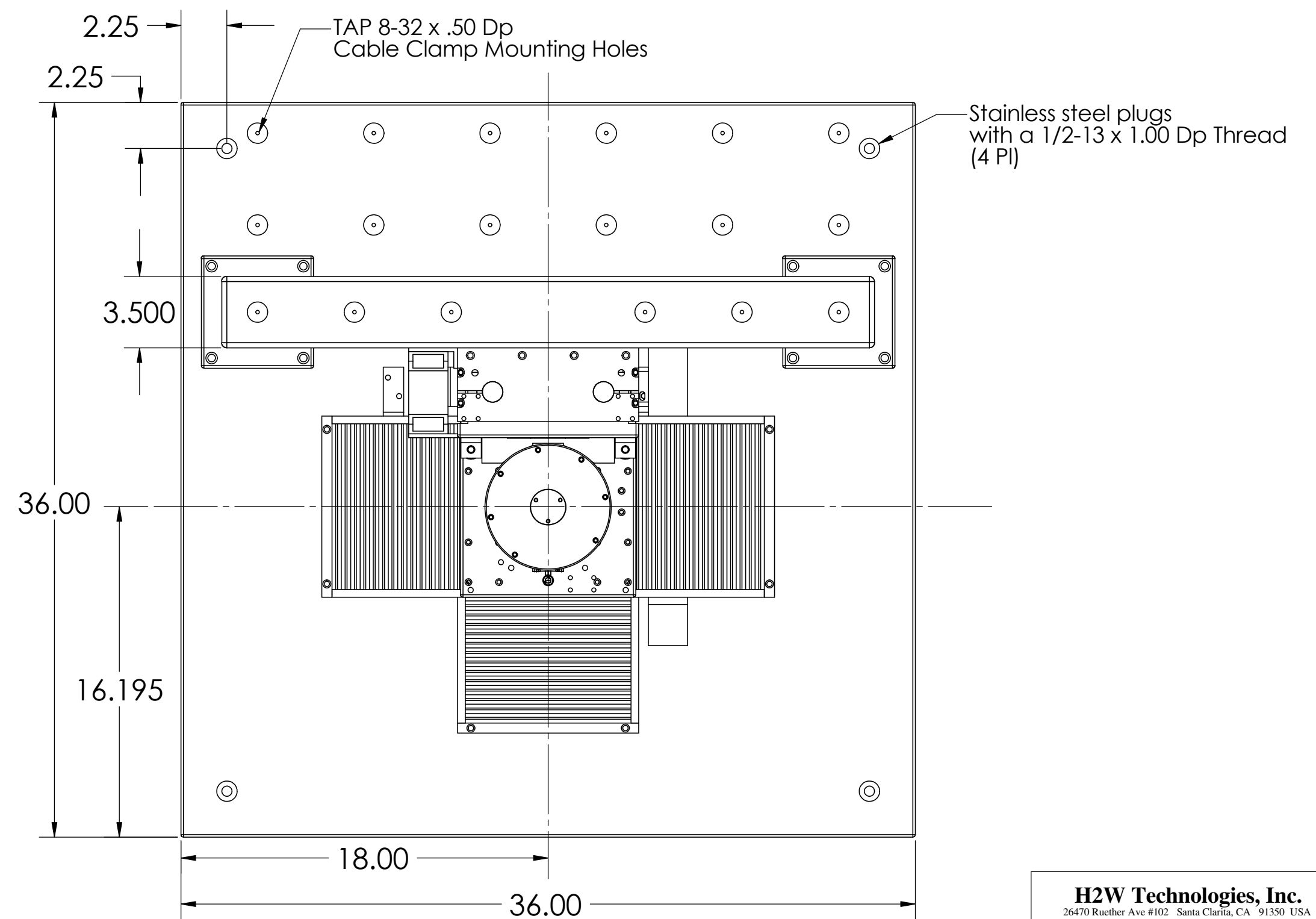
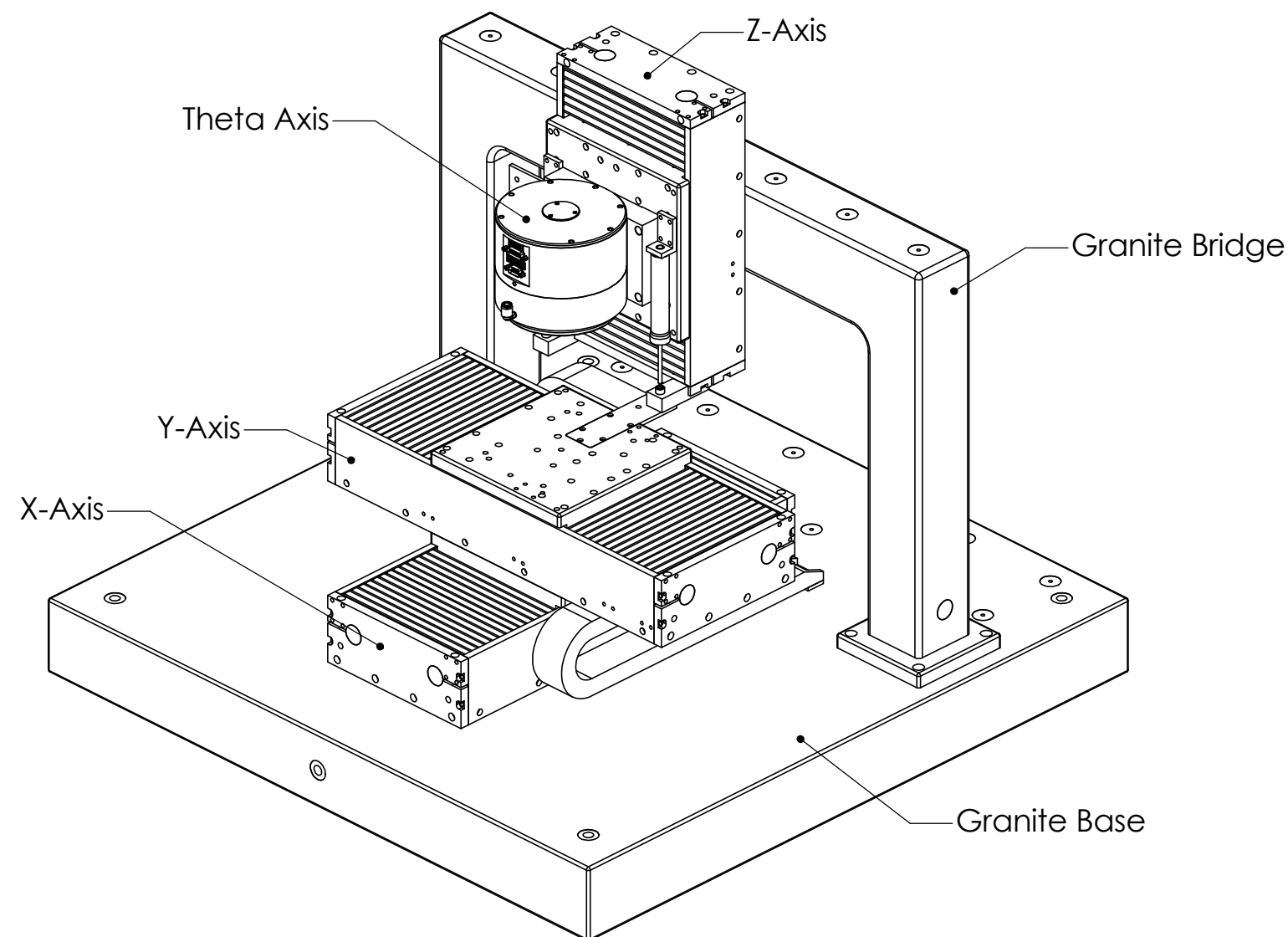
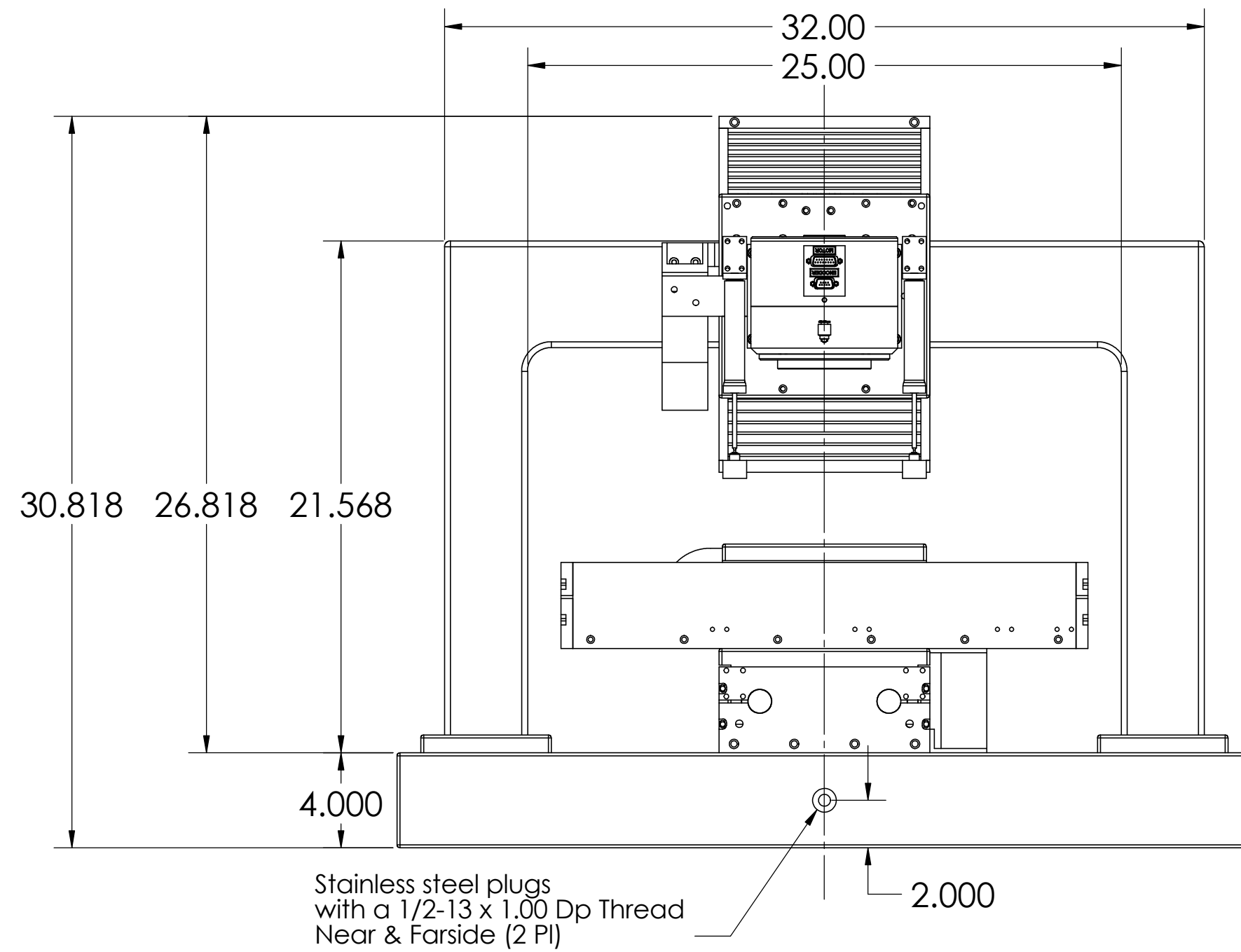
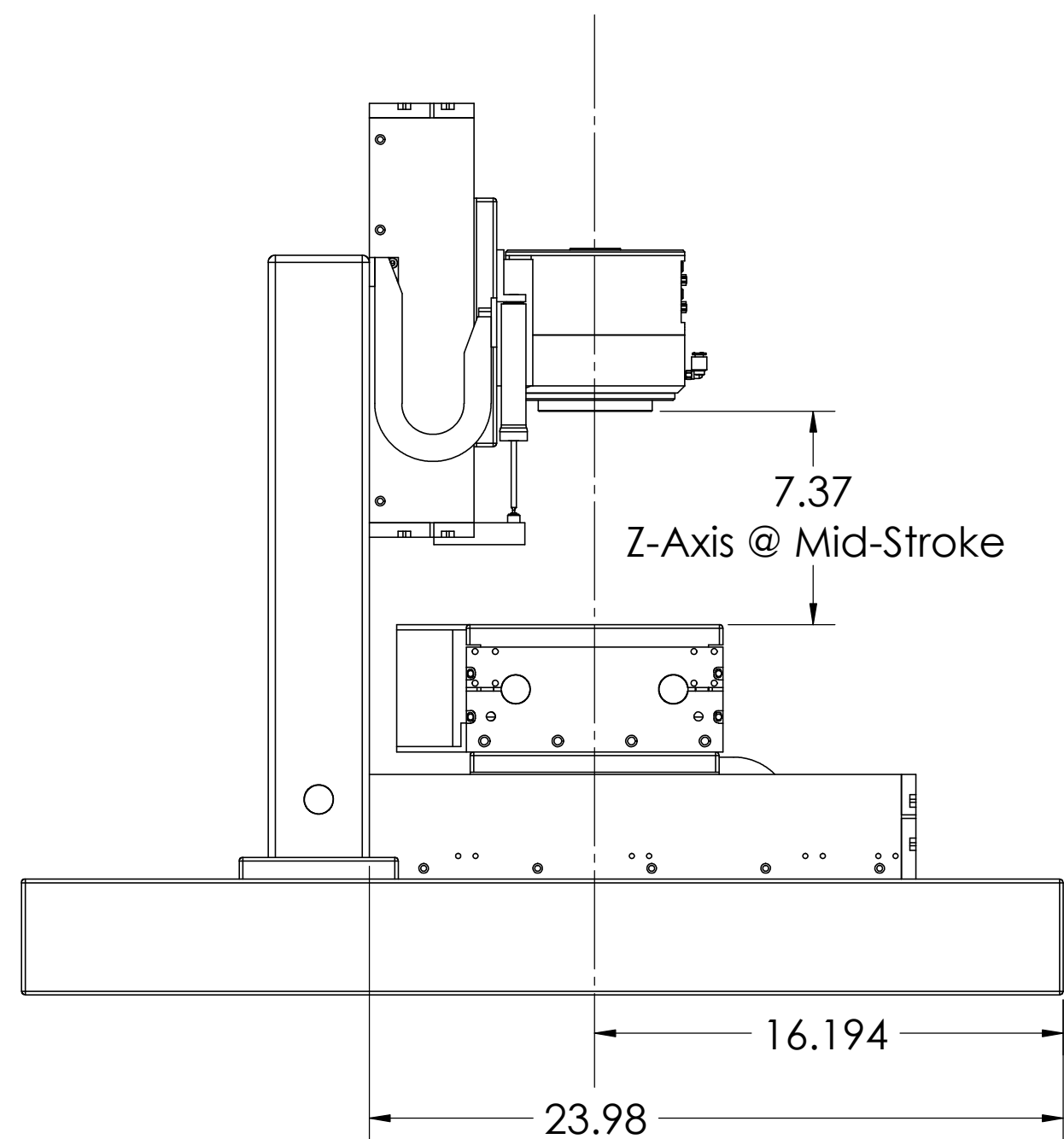


These drawings and specifications are the property of H2W Technologies, Inc. They are issued in confidence and shall not be reproduced, copied, or used without written permission from H2W Technologies, Inc.

| REVISION TABLE | | | | | |
|----------------|------|------------------|--------|----------|--------|
| REV | ECN# | DESCRIPTION | REV BY | APPROVED | DATE |
| --- | --- | Original Drawing | OOG | MPW | 7-7-04 |



UNLESS SPECIFIED OTHERWISE:
All dimensions are in inches.
Standard Tolerances are as follows:
XXX ±.005 ANGLES ±1°
XX ±.010 FILLETS AND
X ±.020 CORNERS 0.010
Remove All Burs and Sharp Edges

| MATERIAL | FINISH | DRAWN | DATE | APPROVED | DATE |
|----------|--------|-------|--------|----------|--------|
| | | OOG | 7-7-04 | MPW | 7-7-04 |

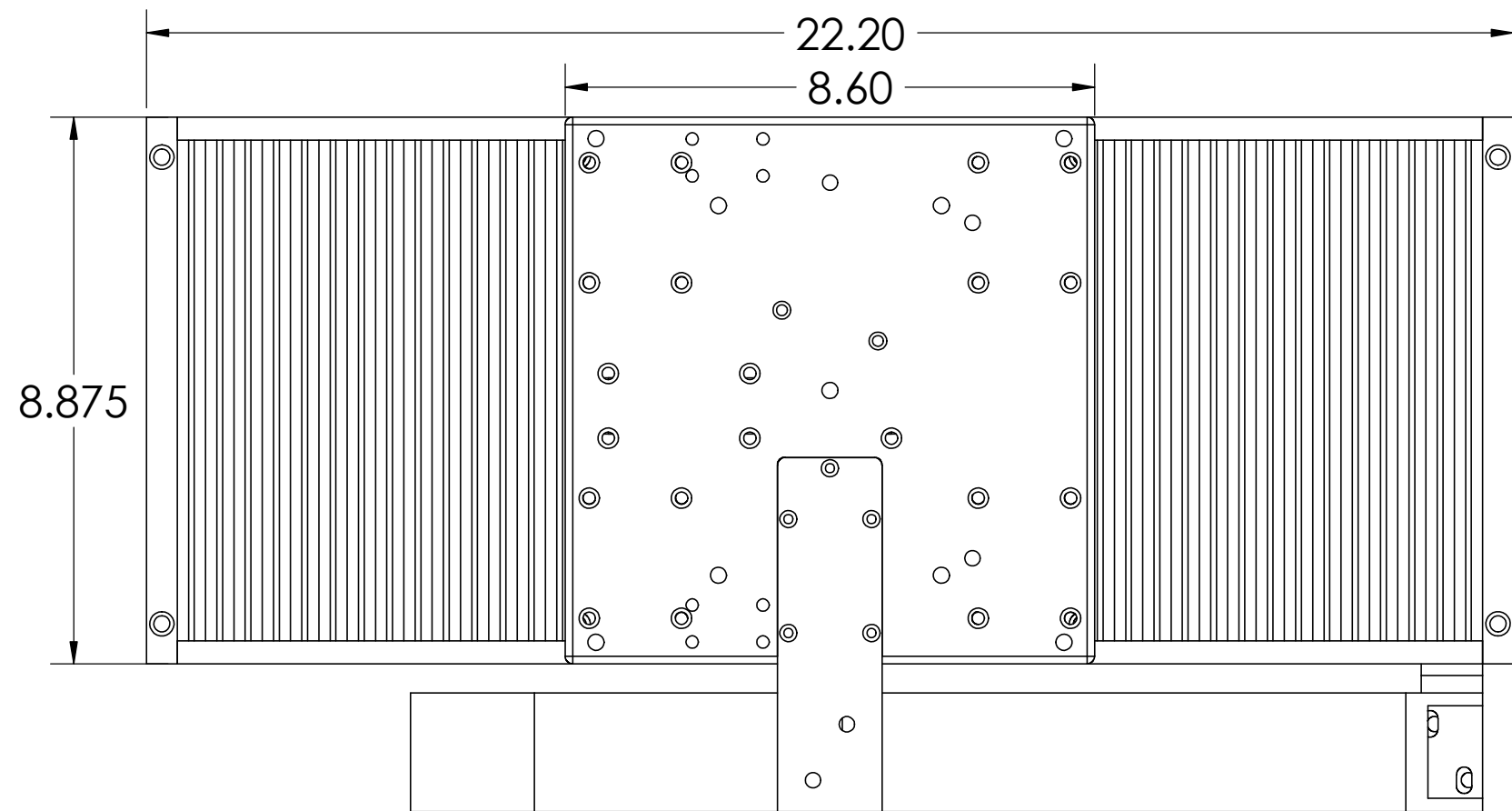
H2W Technologies, Inc.
26470 Ruetter Ave #102 Santa Clarita, CA 91350 USA
Tel: (661) 251-2081 Fax: (661) 251-2067
www.h2wtech.com

| TITLE | DWG# | REV | SHEET |
|---|---------|-----|--------|
| Air Bearing Positioning Stage XYZ-Theta Gantry | 43-0056 | --- | 1 of 2 |

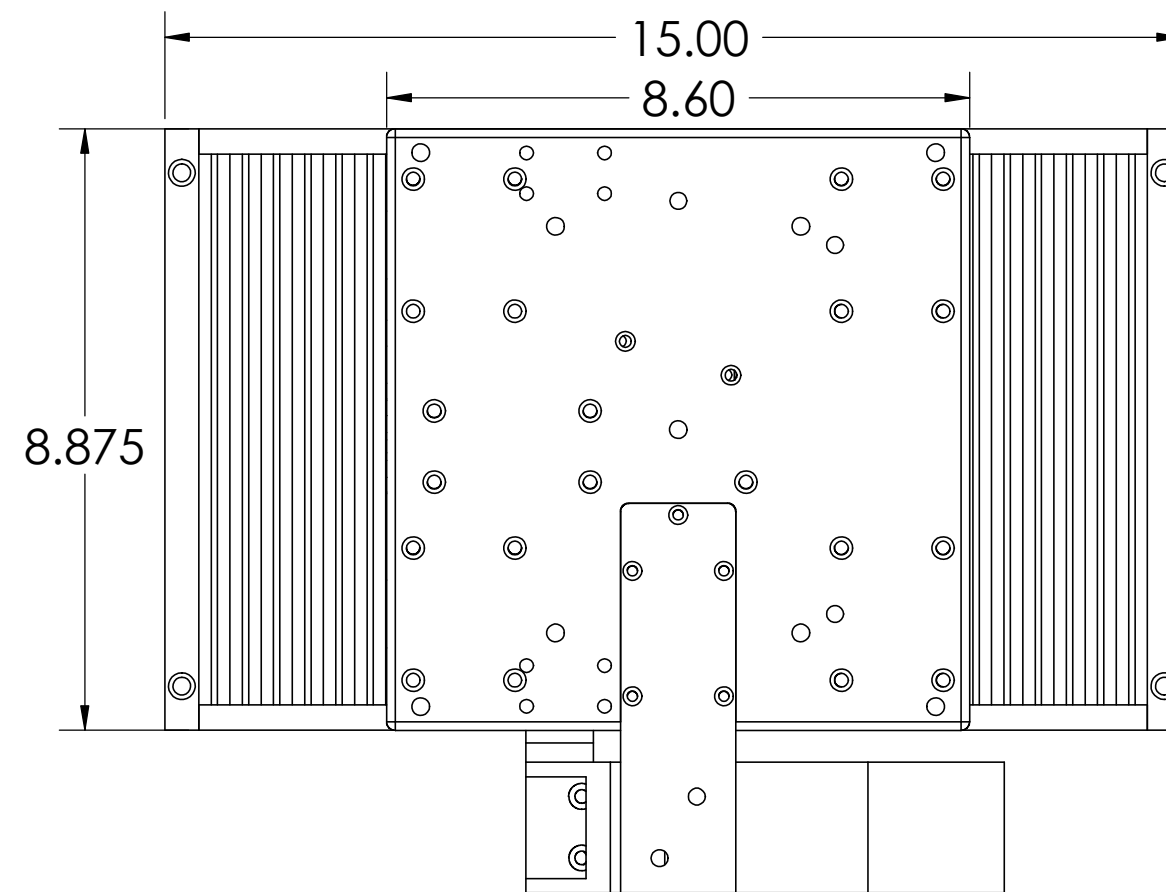
These drawings and specifications are the property of H2W Technologies, Inc. They are issued in confidence and shall not be reproduced, copied, or used without written permission from H2W Technologies, Inc.

| REVISION TABLE | | | | | |
|----------------|------|------------------|--------|----------|--------|
| REV | ECN# | DESCRIPTION | REV BY | APPROVED | DATE |
| --- | --- | Original Drawing | OOG | MPW | 7-7-04 |

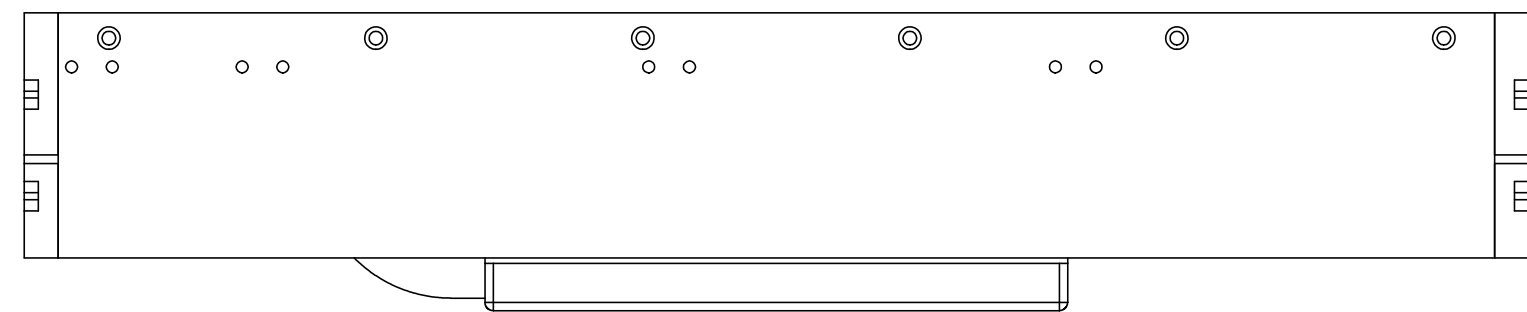
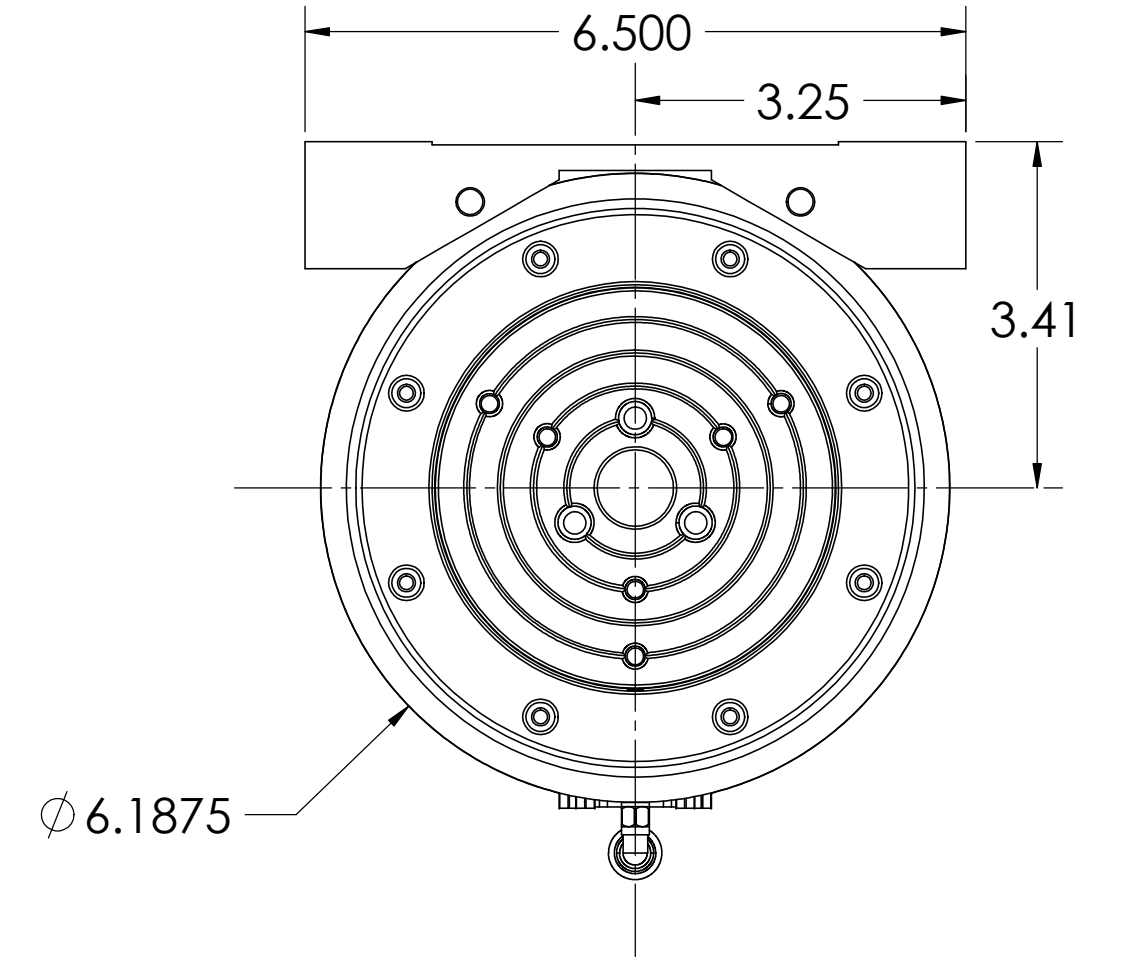
X & Y Axis



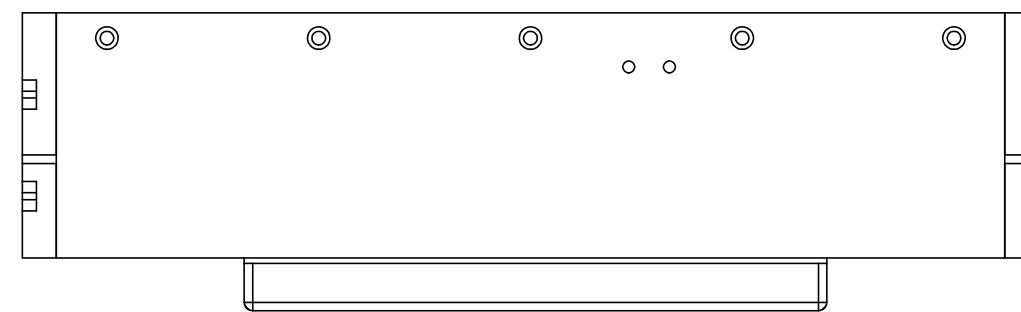
Z Axis



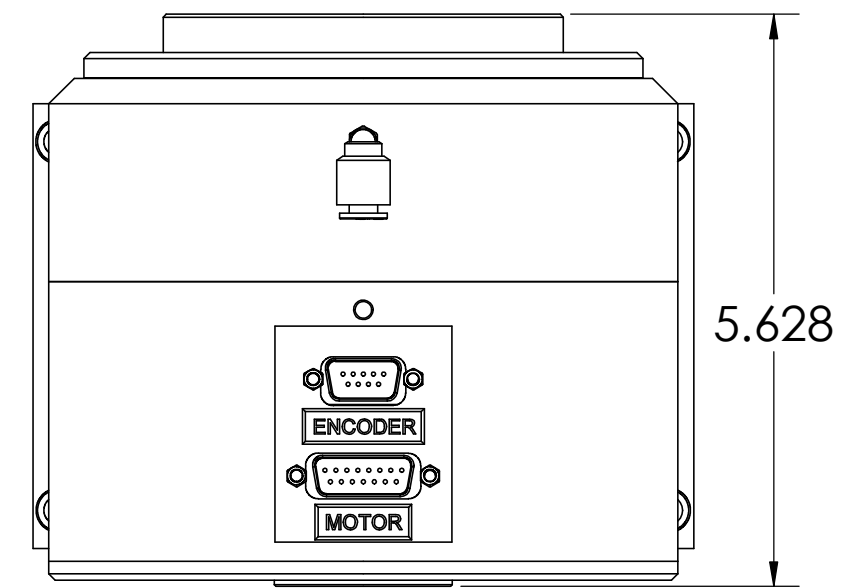
Theta Axis



Stroke: 10.0 in
(Shown at Mid-Stroke)



Stroke: 3.50 in
(Shown at Mid-Stroke)



360° Rotation

