

1

2

3

4

5

REVISION TABLE					
REV	ECN#	DESCRIPTION	REV BY	APPROVED	DATE
---	---	Original Drawing	OOG	MPW	9-11-18

A

A

B

B

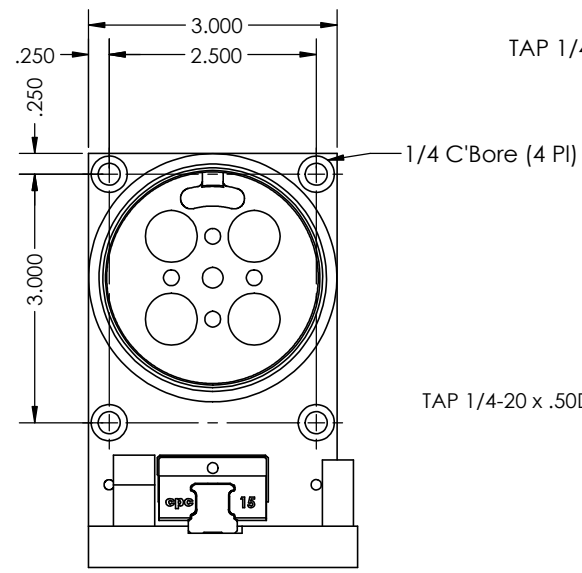
C

C

D

D

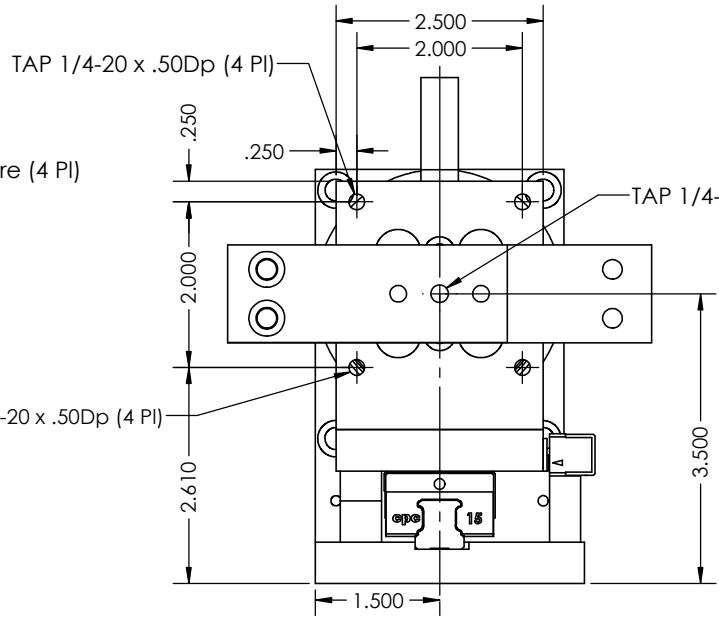
PARTS HAVE BEEN HIDDEN TO SHOW MOUNTING HOLES



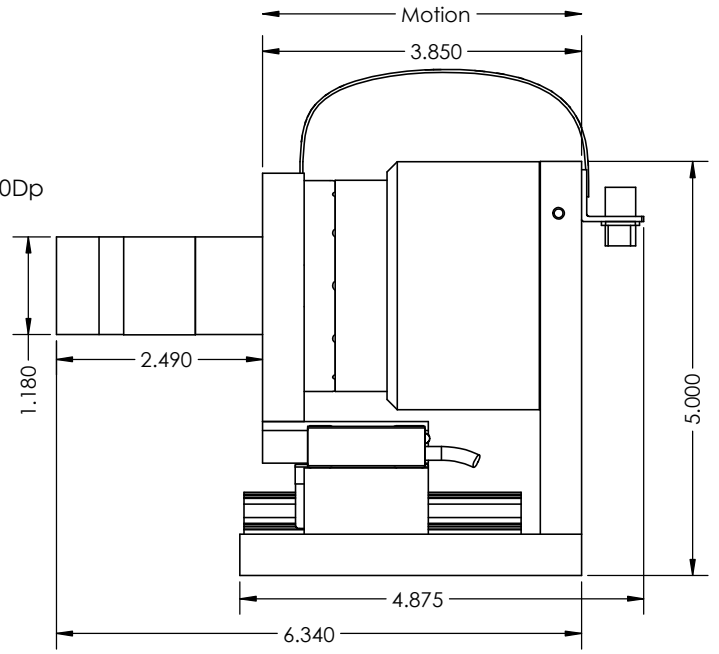
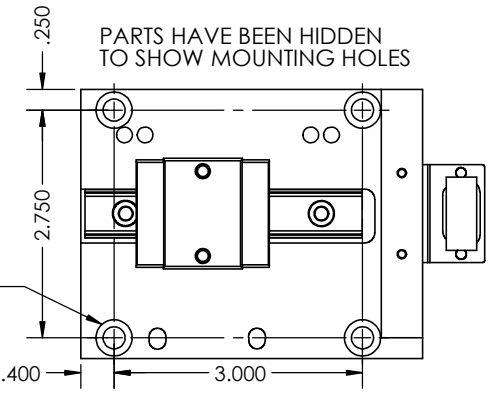
TAP 1/4-20 x .50Dp (4 PI)

1/4 C'Bore (4 PI)

TAP 1/4-20 x .50Dp (4 PI)



1/4 C'Bore (4 PI)



H2W Technologies, Inc.
 Santa Clarita, CA 91350 USA
 Tel: (661) 291-1620
www.h2wtech.com

These drawings and specifications are the property of H2W Technologies, Inc. They are issued in confidence and shall not be reproduced, copied, or used without written permission from H2W Technologies, Inc.

UNLESS SPECIFIED OTHERWISE:
 All dimensions are in inches
 Standard Tolerances are as follows
 .XXX ±.005 ANGLES ±1°
 .XX ±.010 FILLETS .010
 .X ±.020 CORNERS .010
 Remove All Burrs and Sharp Edges

FOR REFERENCE ONLY

MATERIAL
 FINISH
Anodize Blue

TITLE
**XYZ Voice Coil Positioning Stage
 Model #: VCS13-108-LB-01-MCF**

DWG # **31-0853**
 REV
 DATE 9-11-18 SHEET 1 of 3

1

2

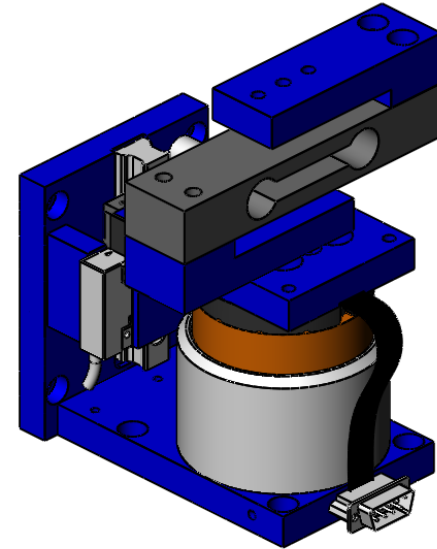
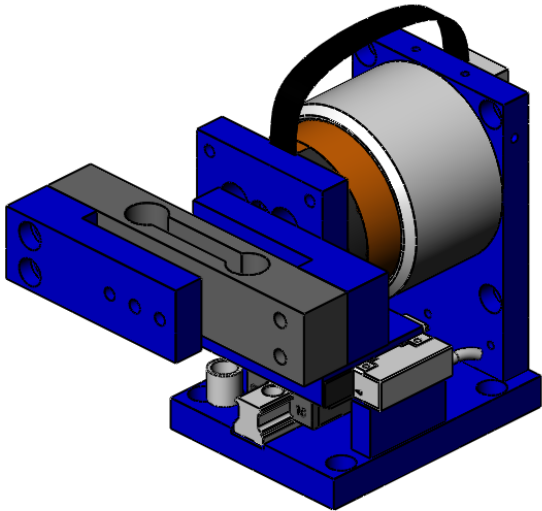
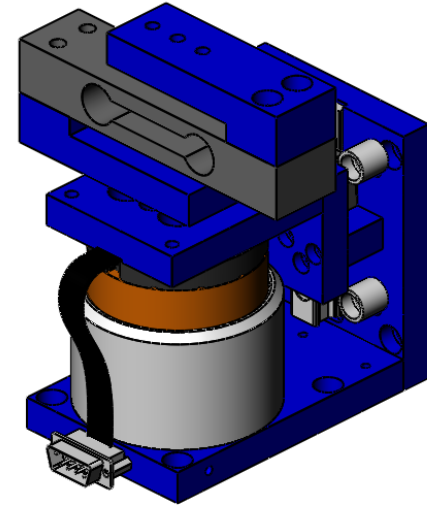
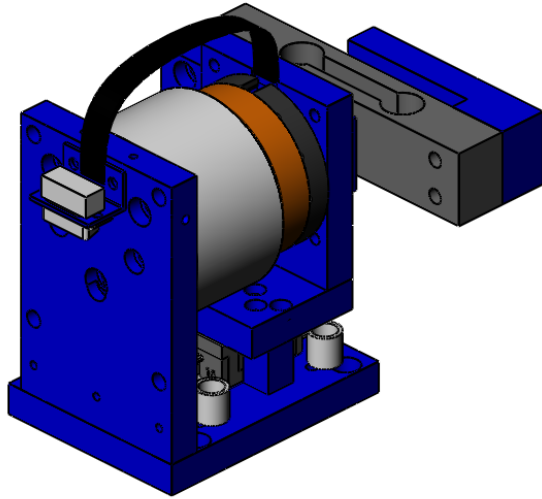
3

4

5

Horizontal Configuration

Vertical Configuration



H2W Technologies, Inc.
 Santa Clarita, CA 91350 USA
 Tel: (661) 291-1620
 www.h2wtech.com

These drawings and specifications are the property of H2W Technologies, Inc. They are issued in confidence and shall not be reproduced, copied, or used without written permission from H2W Technologies, Inc.

UNLESS SPECIFIED OTHERWISE:
 All dimensions are in inches
 Standard Tolerances are as follows
 .XXX ±.005 ANGLES ±1°
 .XX ±.010 FILLETS .010
 .X ±.020 CORNERS .010
 Remove All Burrs and Sharp Edges

**FOR
 REFERENCE
 ONLY**

MATERIAL

FINISH

TITLE

XYZ Voice Coil Positioning Stage
Model #: VCS13-108-LB-01-MCF

DWG # **31-0853**

REV -----

DATE 9-11-18 SHEET 2 of 3

1

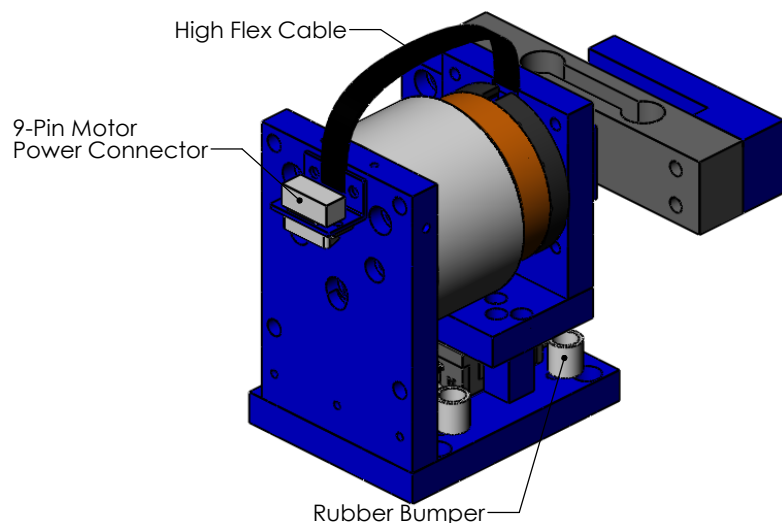
2

3

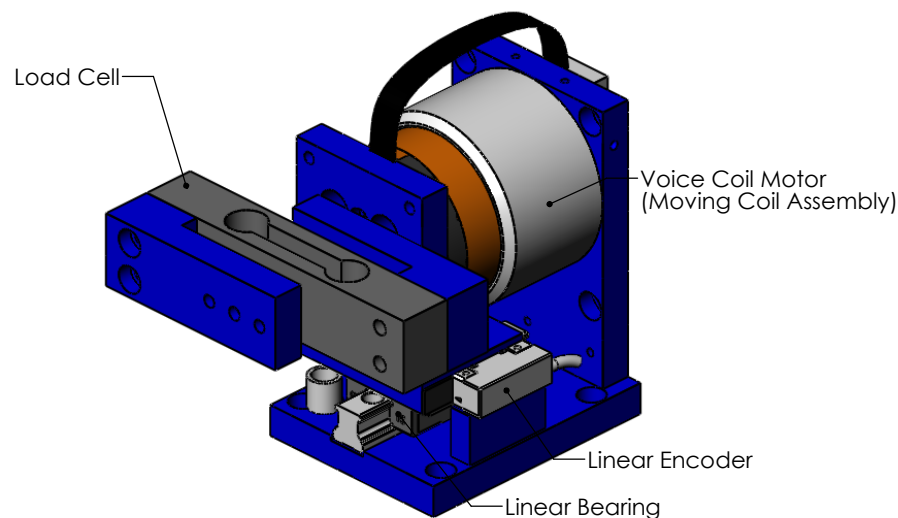
4

5

A



B



C

D

VOICE COIL POSITIONING STAGE SPECIFICATIONS

Motor P/N	NCC13-30-108-1SH	
Stroke	1.25"	31.8 mm
Force Transducer Resolution	0.1 N	
Encoder Resolution	1 micron	
Encoder Type	Magnetic	
Bearing Type	Linear Bearing	
Moving Part	Coil Assembly	
Moving Mass	1.50 lbs	0.42 kg
Total Mass	6.0 lbs	2.0 kg
Resistance @ 20C	4.8 ohms	
Inductance @ 20C	4.10 mH	
Electrical Time Constant	0.9 msec	
Motor Constant	2.3 LBS/SQRT(Watt)	7.6 N/SQRT(Watt)
Force Constant	5. lbs/Amp	22.3 N/Amp
Back EMF	0.5 V/ips	22.3 V/m/sec
Force @ 100% Duty	10.8 lbs	48 N
Power @ 100% Duty	23 watts	
Current @ 100% Duty	2.2 Amps	
Force @ 10% Duty	32.4 lbs	144 N
Power @ 10% Duty	200 watts	
Current @ 10% Duty	6.5 Amps	



H2W Technologies, Inc.
 Santa Clarita, CA 91350 USA
 Tel: (661) 291-1620
www.h2wtech.com

These drawings and specifications are the property of H2W Technologies, Inc. They are issued in confidence and shall not be reproduced, copied, or used without written permission from H2W Technologies, Inc.

UNLESS SPECIFIED OTHERWISE:
 All dimensions are in inches
 Standard Tolerances are as follows
 .XXX ±.005 ANGLES ±1°
 .XX ±.010 FILLETS .010
 .X ±.020 CORNERS .010
 Remove All Burrs and Sharp Edges

**FOR
 REFERENCE
 ONLY**

MATERIAL

FINISH

TITLE

XYZ Voice Coil Positioning Stage
 Model #: VCS13-108-LB-01-MCF

DWG # **31-0853**

REV

DATE 9-11-18

SHEET 3 of 3