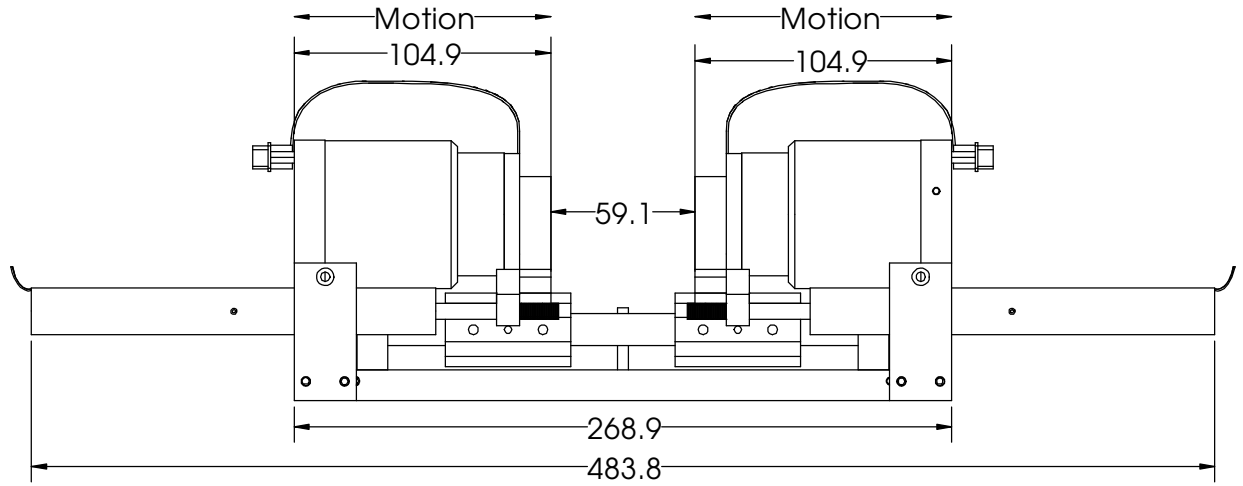
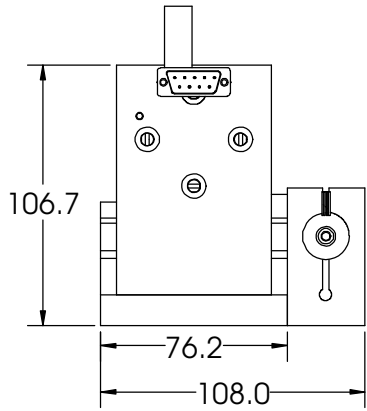
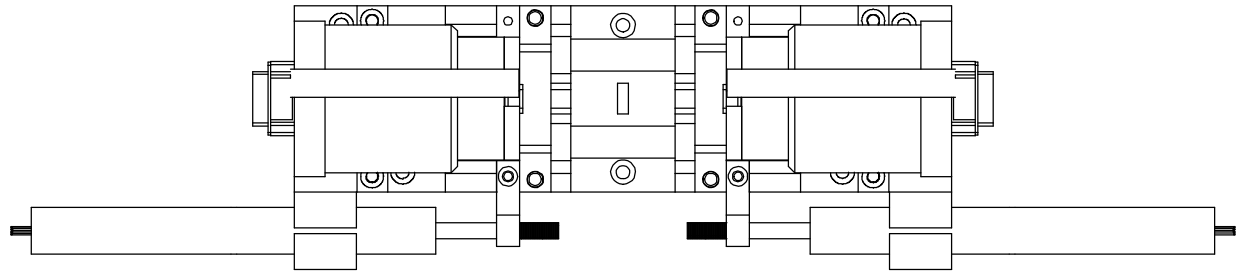


These drawings and specifications are the property of H2W Technologies, Inc. They are issued in confidence and shall not be reproduced, copied, or used without written permission from H2W Technologies, Inc.



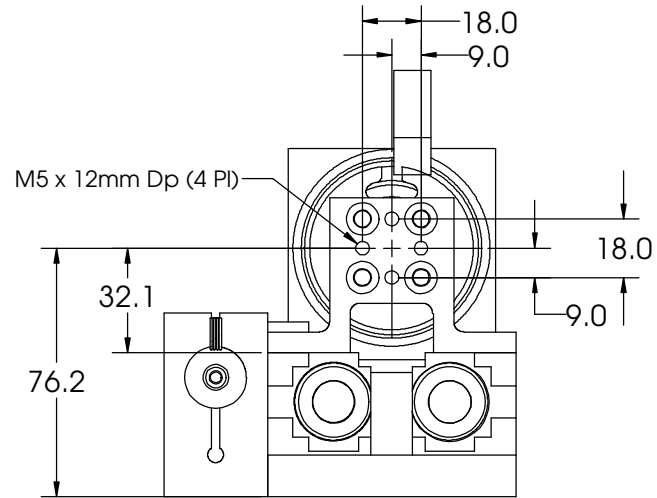
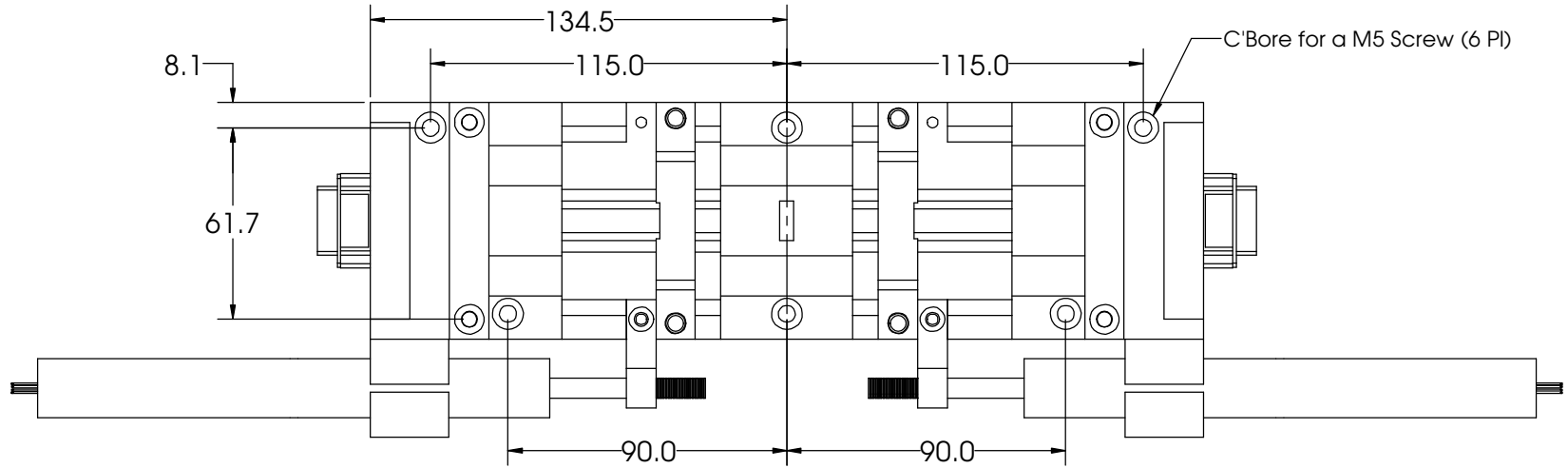
NOTE:  
 - Motors shown at mid-stroke  
 - When motors are fully extended 59.1 dimension will be 21.0

**H2W Technologies, Inc.**  
 26470 Ruether Ave #102 Santa Clara, CA 95050 USA  
 Tel: (661) 251-2081 Fax: (661) 251-2067  
 www.h2wtech.com

UNLESS SPECIFIED OTHERWISE: All dimensions are in mm Standard Tolerances are as follows: XXX ±.005 ANGLES ±1° XX ±.010 FILLETS AND X ±.020 CORNERS R10 Remove All Burrs and Sharp Edges				MATERIAL		TITLE	
FINISH				Voice Coil Positioning Stage		Model #: VCS15-050-AB-LV-2	
DRAWN	DATE	APPROVED	DATE	DWG #	REV	SHEET	
OGG	11-28-11	MPW	11-28-11	31-0288	A	1 of 3	

These drawings and specifications are the property of H2W Technologies, Inc. They are issued in confidence and shall not be reproduced, copied, or used without written permission from H2W Technologies, Inc.

MOTORS HAVE BEEN HIDDEN TO SHOW BASE MOUNTING HOLES

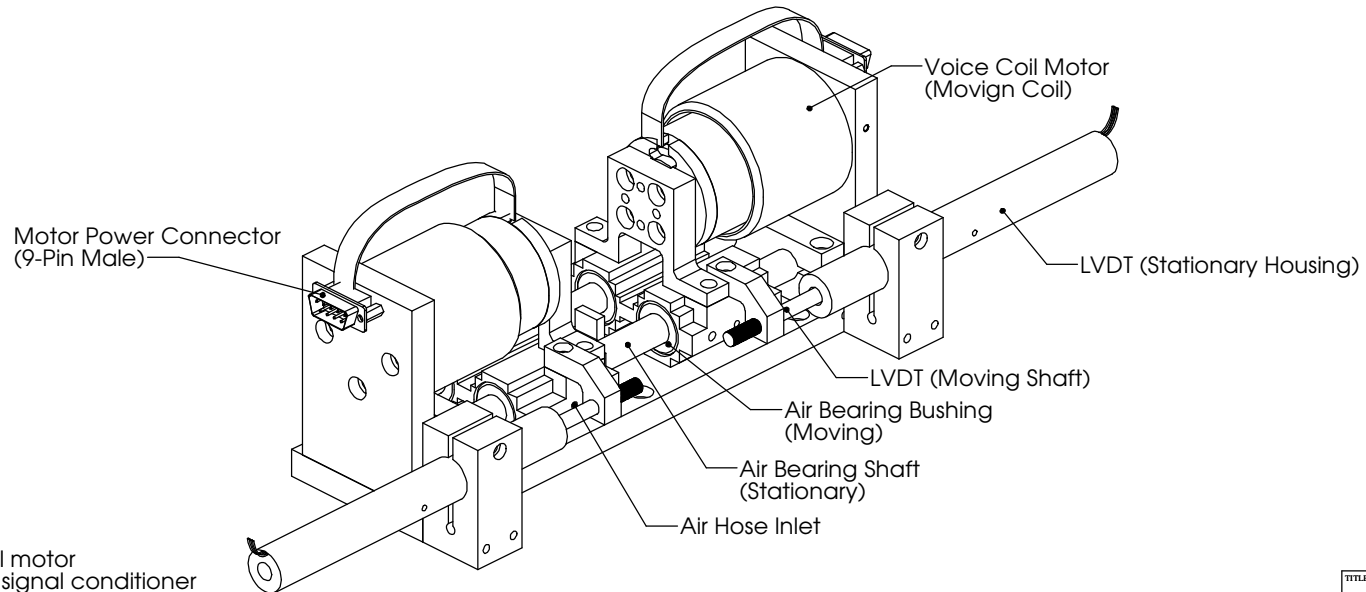


ONE MOTOR HAS BEEN HIDDEN TO SHOW MOUNTING HOLES

TITLE		
Voice Coil Positioning Stage		
Model #: VCS15-050-AB-LV-2		
DWG #	REV	SHEET
31-0288	A	2 of 3

These drawings and specifications are the property of H2W Technologies, Inc. They are issued in confidence and shall not be reproduced, copied, or used without written permission from H2W Technologies, Inc.

VOICE COIL POSITIONING STAGE SPECIFICATIONS		
Motor P/N	NCC15-24-050-1R	
Stroke	1.50"	38.1 mm
Position Feedback Type	LVDT	
Bearing Type	Air Bushing (60-80psi)	
Moving Mass	1.35 lbs	615 grams
Total Mass	8.87 lbs	4029 grams
Resistance @ 20C	1.9 ohms / 7.8 ohms	
Inductance @ 20C	1.4 mH / 5.8 mH	
Electrical Time Constant	0.74 msec	
Motor Constant	1.48 LBS/SQRT(Watt)	6.59 N/SQRT(Watt)
Force Constant	2.04 LBS/Amp or 4.13 LBS/Amp	9.08 N/Amp or 18.38 N/Amp
Back EMF	0.23 V/ips or .46 V/ips	9.08 V/m/sec or 18.38 V/m/sec
Continuous Force	8.4 LBS	37.4 N
Max Power @ 100% Duty	32 Watts	
Peak Force	25.2 LBS	112 N
Max Power @ 10% Duty	291 Watts	



**NOTE:**

- Electrical specs are per individual motor
- LVDT output will be 0-10V DC via signal conditioner
- Moving mass is per individual moving assembly
- Total mass is for entire stage assembly

TITLE		
Voice Coil Positioning Stage		
Model #: VCS15-050-AB-LV-2		
DWG #	REV	SHEET
31-0288	A	3 of 3