

| REVISION TABLE | | | | | |
|----------------|------|---|--------|----------|--------|
| REV | ECN# | DESCRIPTION | REV BY | APPROVED | DATE |
| C | 1376 | Added 1/4-20 Mounting Holes to Y-Axis Table | OOG | MPW | 8-9-11 |

[10.6]
.419
BOTH SIDES

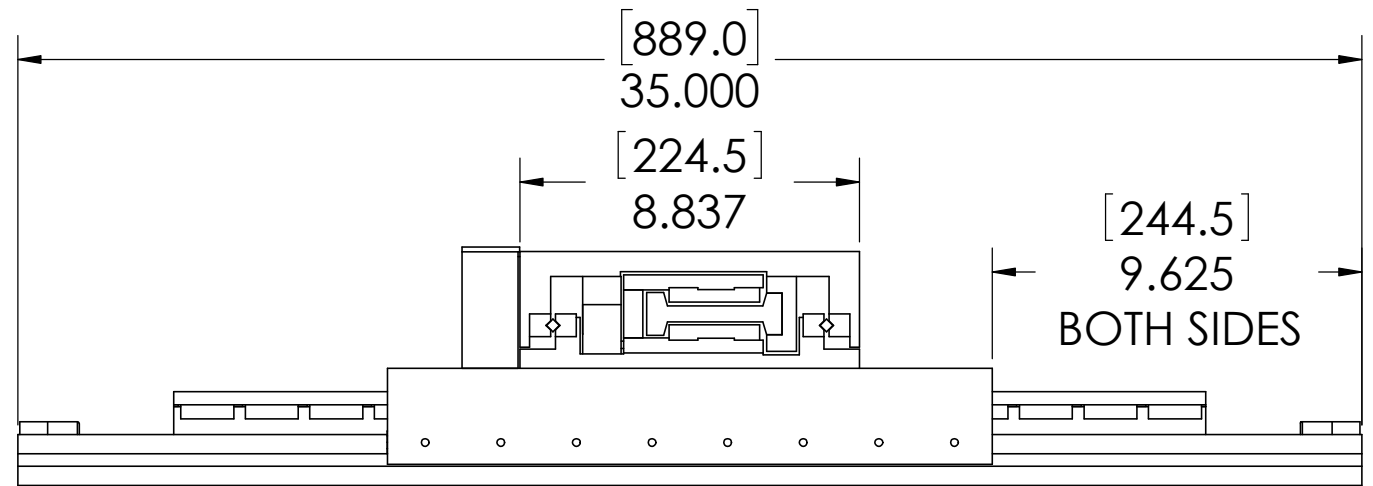
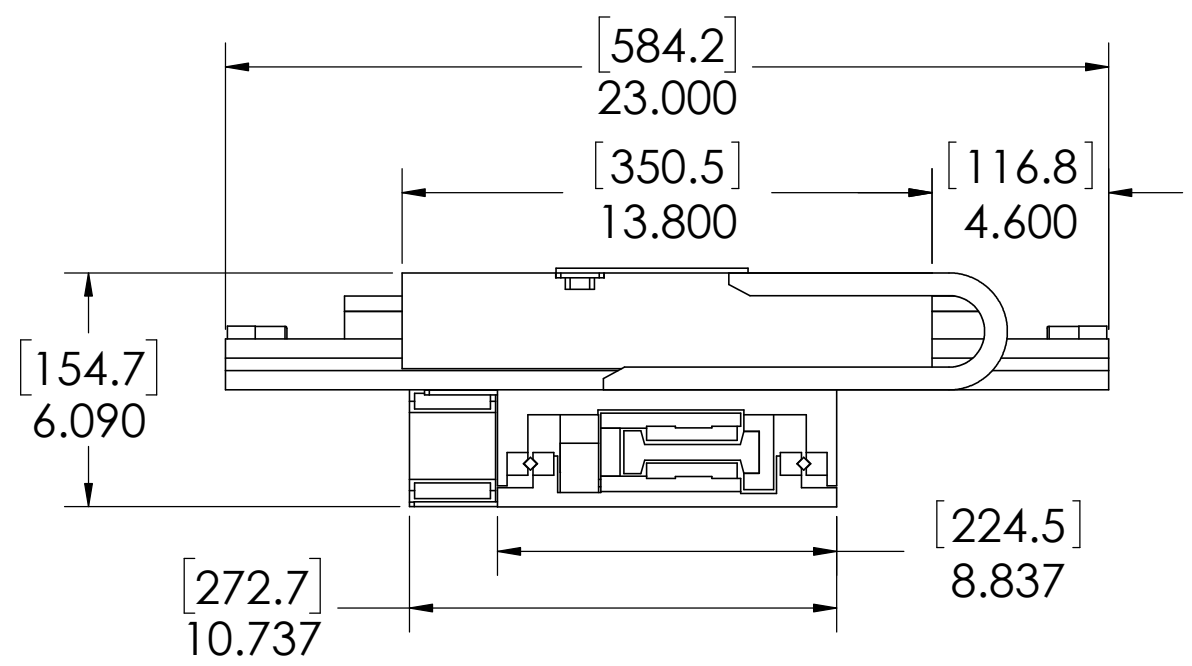
[203.2]
8.000

[38.1]
1.500
BOTH SIDES

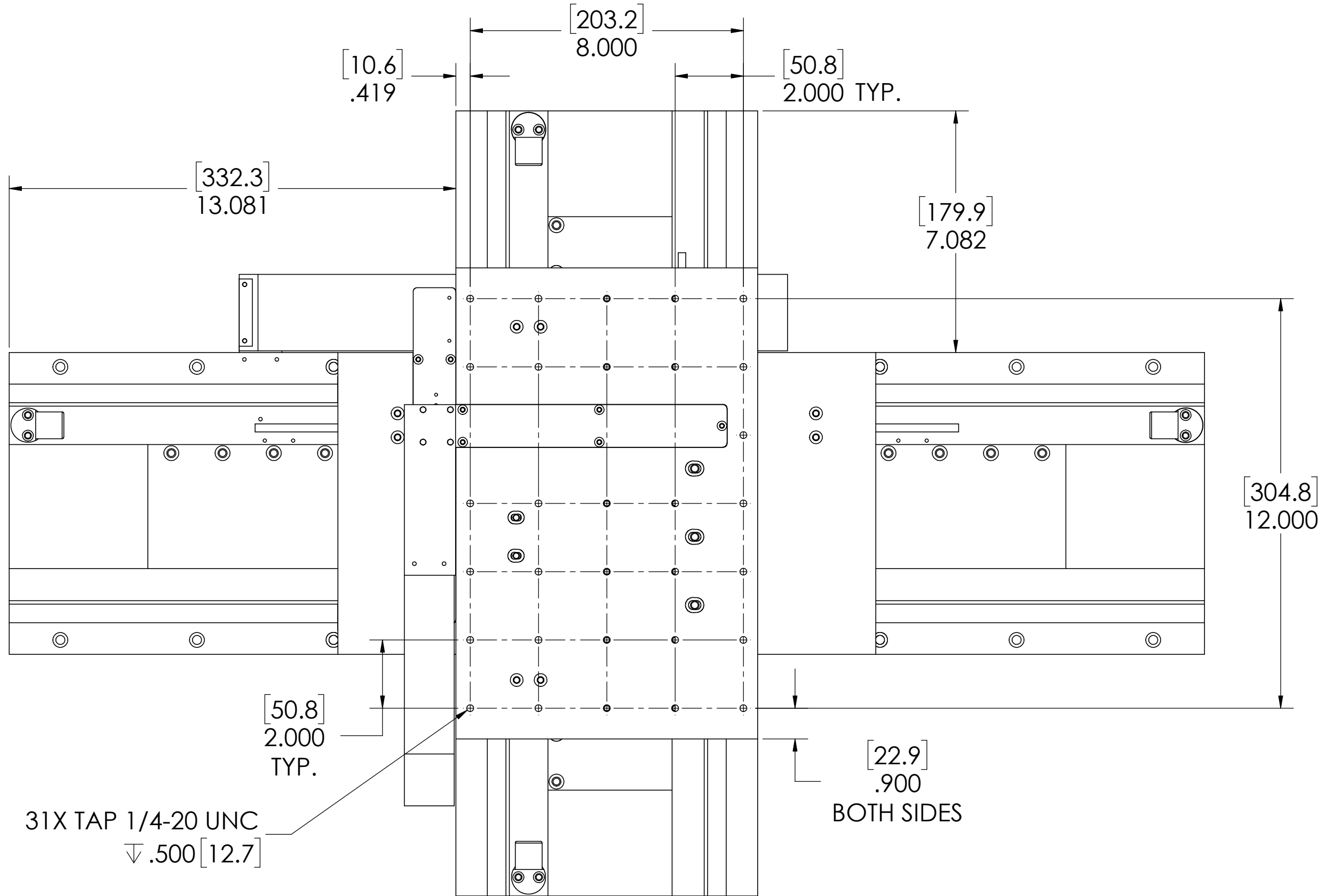
18X C'BORE FOR
1/4-20 SHCS

[101.6]
4.000
TYP.

[812.8]
32.000



PAYLOAD MOUNTING PROVISIONS



POSITIONING STAGE SHOWN AT MIDSTROKE



H2W Technologies, Inc.
 Santa Clarita, CA 91350 USA
 Tel: (661) 291-1620
www.h2wtech.com

These drawings and specifications are the property of H2W Technologies, Inc. They are issued in confidence and shall not be reproduced, copied, or used without written permission from H2W Technologies, Inc.

UNLESS SPECIFIED OTHERWISE:
 All dimensions are in inches
 Standard Tolerances are as follows
 .XXX ±.005 ANGLES ±.1°
 .XX ±.010 FILLETS .010
 .X ±.020 CORNERS .010
 Remove All Burrs and Sharp Edges

**FOR
 REFERENCE
 ONLY**

MATERIAL

FINISH

TITLE

Crossed Roller Positioning Stage Model #:
XRS-19-09-XY-001

DWG #

42-0042

REV

C

DATE 8-9-11

SHEET 2 of 3

1

2

3

4

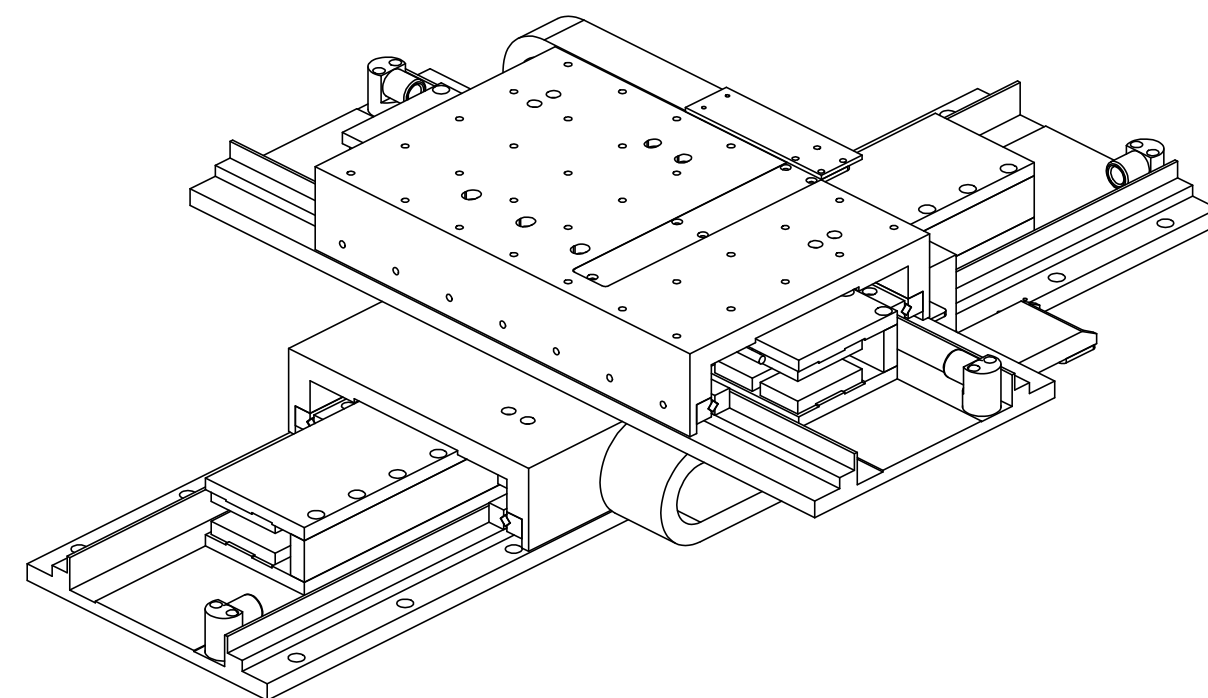
5

TOP AXIS SPECIFICATIONS

| | | |
|--------------------------|---------------------|--------------------|
| Motor P/N | BLDD-02 | |
| Stroke | 9 in | 228.6 mm |
| Encoder Resolution | 0.1 micron | |
| Bearing Type | Crossed Roller | |
| Moving Mass | 13.04 lbs | 5914 g |
| Total Mass | 51.39 lbs | 23310 g |
| Resistance @ 20C | 8.0 ohms | |
| Inductance @ 20C | 10 mH | |
| Electrical Time Constant | 1.3 msec | |
| Motor Constant | 4.40 LBS/SQRT(Watt) | 19.57 N/SQRT(Watt) |
| Force Constant | 12.3 LBS/Amp | 54.5 N/Amp |
| Back EMF | 1.60 V/ips | 63.0 V/m/sec |
| Force @ 100% Duty | 52.4 lbs | 233.1 N |
| Power @ 100% Duty | 142 watts | |
| Current @ 100% Duty | 4.3 amps | |
| Force @ 10% Duty | 157.2 lbs | 669.3 N |
| Power @ 10% Duty | 1278 watts | |
| Current @ 10% Duty | 12.9 amps | |
| Stage Length | 23 in | 584.2 mm |
| Stage Width | 9.95 in | 252.73 mm |
| Stage Height | 3.05 in | 77.47 mm |

BOTTOM AXIS SPECIFICATIONS

| | | |
|--------------------------|---------------------|--------------------|
| Motor P/N | BLDD-02 | |
| Stroke | 19 in | 482.6 mm |
| Encoder Resolution | 0.1 micron | |
| Bearing Type | Crossed Roller | |
| Moving Mass | 14.25 lbs | 6463 g |
| Total Mass | 72.15 lbs | 32726 g |
| Resistance @ 20C | 8.0 ohms | |
| Inductance @ 20C | 10 mH | |
| Electrical Time Constant | 1.3 msec | |
| Motor Constant | 4.40 LBS/SQRT(Watt) | 19.57 N/SQRT(Watt) |
| Force Constant | 12.3 LBS/Amp | 54.5 N/Amp |
| Back EMF | 1.60 V/ips | 63.0 V/m/sec |
| Force @ 100% Duty | 52.4 lbs | 233.1 N |
| Power @ 100% Duty | 142 watts | |
| Current @ 100% Duty | 4.3 amps | |
| Force @ 10% Duty | 157.2 lbs | 669.3 N |
| Power @ 10% Duty | 1278 watts | |
| Current @ 10% Duty | 12.9 amps | |
| Stage Length | 35 in | 889 mm |
| Stage Width | 10.74 in | 272.8 mm |
| Stage Height | 3.05 in | 77.47 mm |



NOTES:

1. Electrical specs & masses are per individual axis
2. Total stage weight = 125 lbs [56.5 kg]



H2W Technologies, Inc.
Santa Clarita, CA 91350 USA
Tel: (661) 291-1620
www.h2wtech.com

These drawings and specifications are the property of H2W Technologies, Inc. They are issued in confidence and shall not be reproduced, copied, or used without written permission from H2W Technologies, Inc.

UNLESS SPECIFIED OTHERWISE:
All dimensions are in inches
Standard Tolerances are as follows
.XXX ±.005 ANGLES ±.1°
.XX ±.010 FILLETS .010
.X ±.020 CORNERS .010
Remove All Burrs and Sharp Edges

**FOR
REFERENCE
ONLY**

MATERIAL

FINISH

TITLE

Crossed Roller Positioning Stage Model #:
XRS-19-09-XY-001

DWG #

42-0042

REV

C

DATE

8-9-11

SHEET

3 of 3