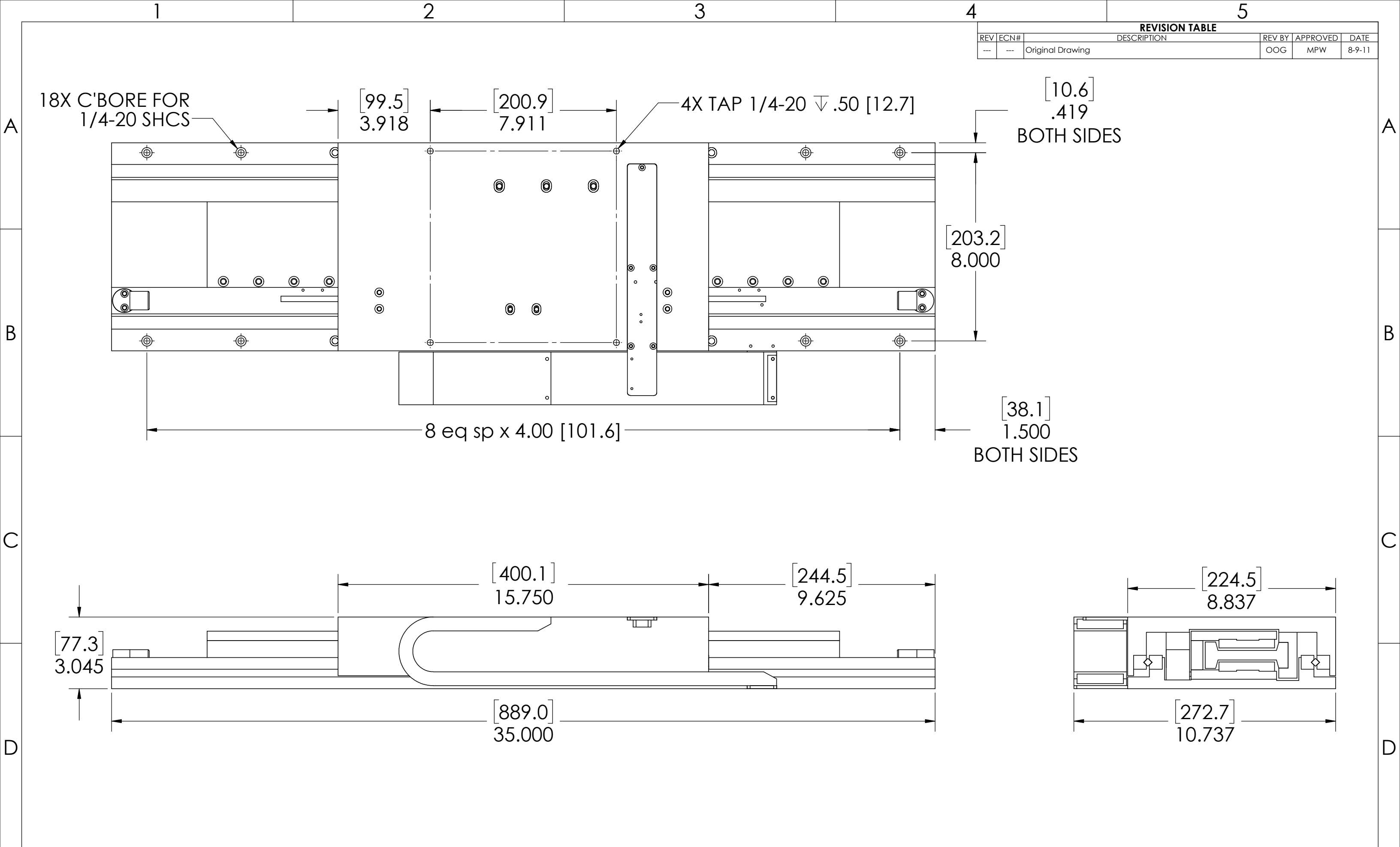


REVISION TABLE					
REV	ECN#	DESCRIPTION	REV BY	APPROVED	DATE
--	--	Original Drawing	OOG	MPW	8-9-11



1

2

3

4

5

A

A

B

B

C

C

D

D

CROSSED ROLLER POSITIONING STAGE SPECIFICATIONS		
Motor P/N	BLDD-02	
Stroke	19 in	482.6 mm
Encoder Resolution	0.1 micron	
Bearing Type	Crossed Roller	
Moving Mass	14.25 lbs	6463 g
Total Mass	72.15 lbs	32726 g
Resistance @ 20C	8.0 ohms	
Inductance @ 20C	10 mH	
Electrical Time Constant	1.3 msec	
Motor Constant	4.40 LBS/SQRT(Watt)	19.57 N/SQRT(Watt)
Force Constant	12.3 LBS/Amp	54.5 N/Amp
Back EMF	1.60 V/ips	63.0 V/m/sec
Force @ 100% Duty	52.4 lbs	233.1 N
Power @ 100% Duty	142 watts	
Current @ 100% Duty	4.3 amps	
Force @ 10% Duty	157.2 lbs	669.3 N
Power @ 10% Duty	1278 watts	
Current @ 10% Duty	12.9 amps	
Stage Length	35 in	889 mm
Stage Width	10.74 in	272.8 mm
Stage Height	3.05 in	77.47 mm

