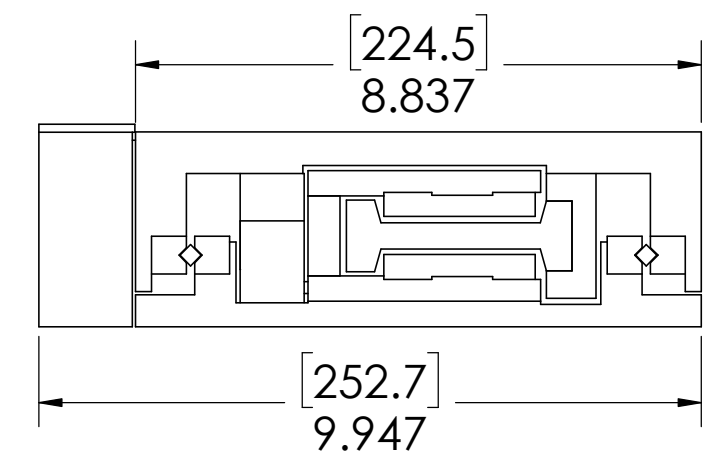
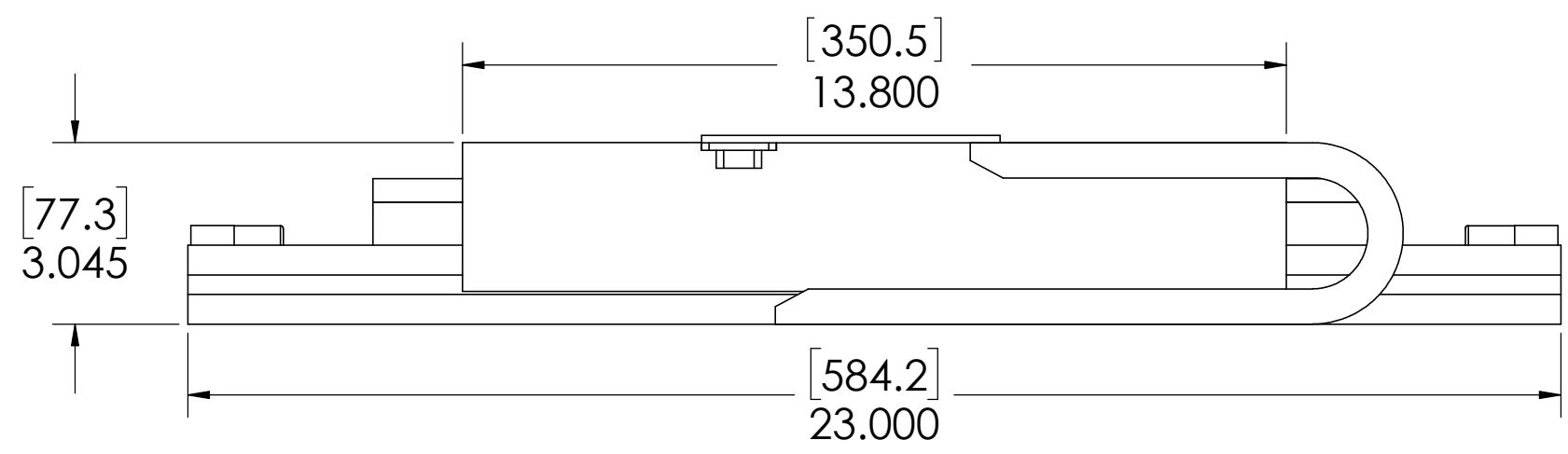
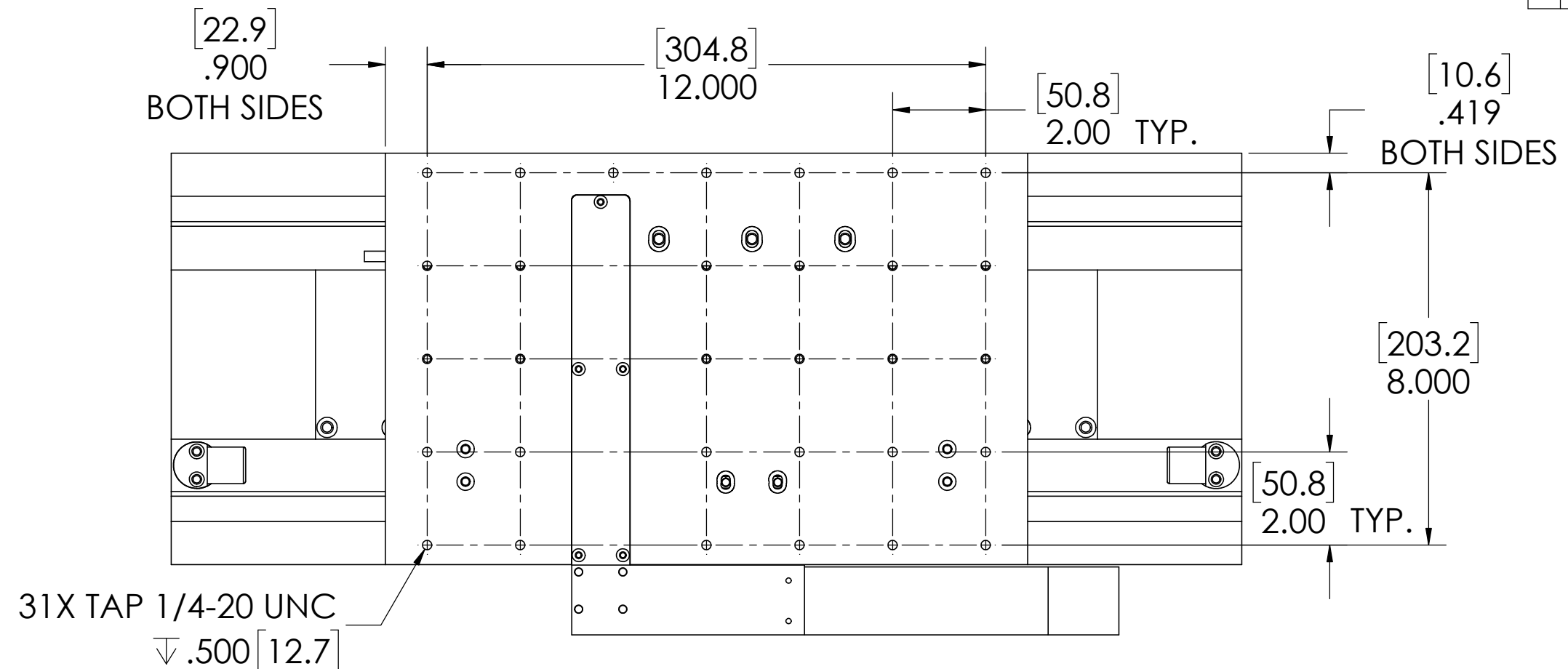
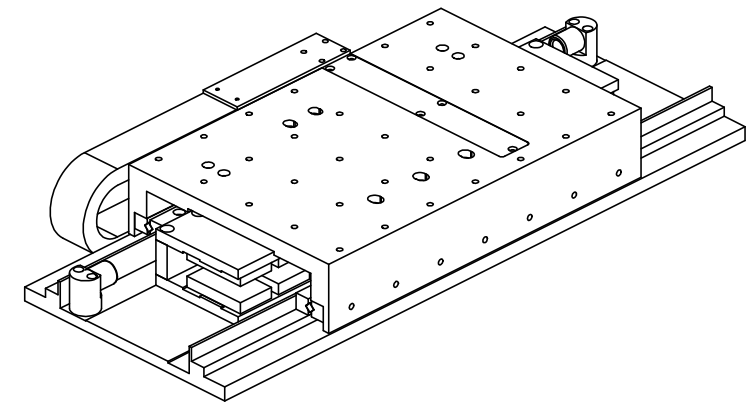
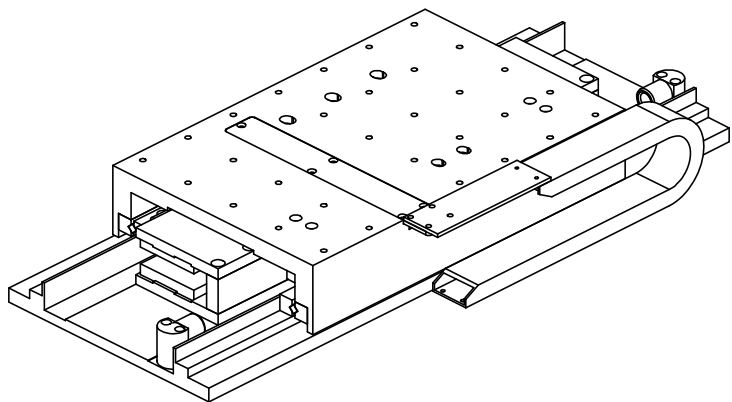
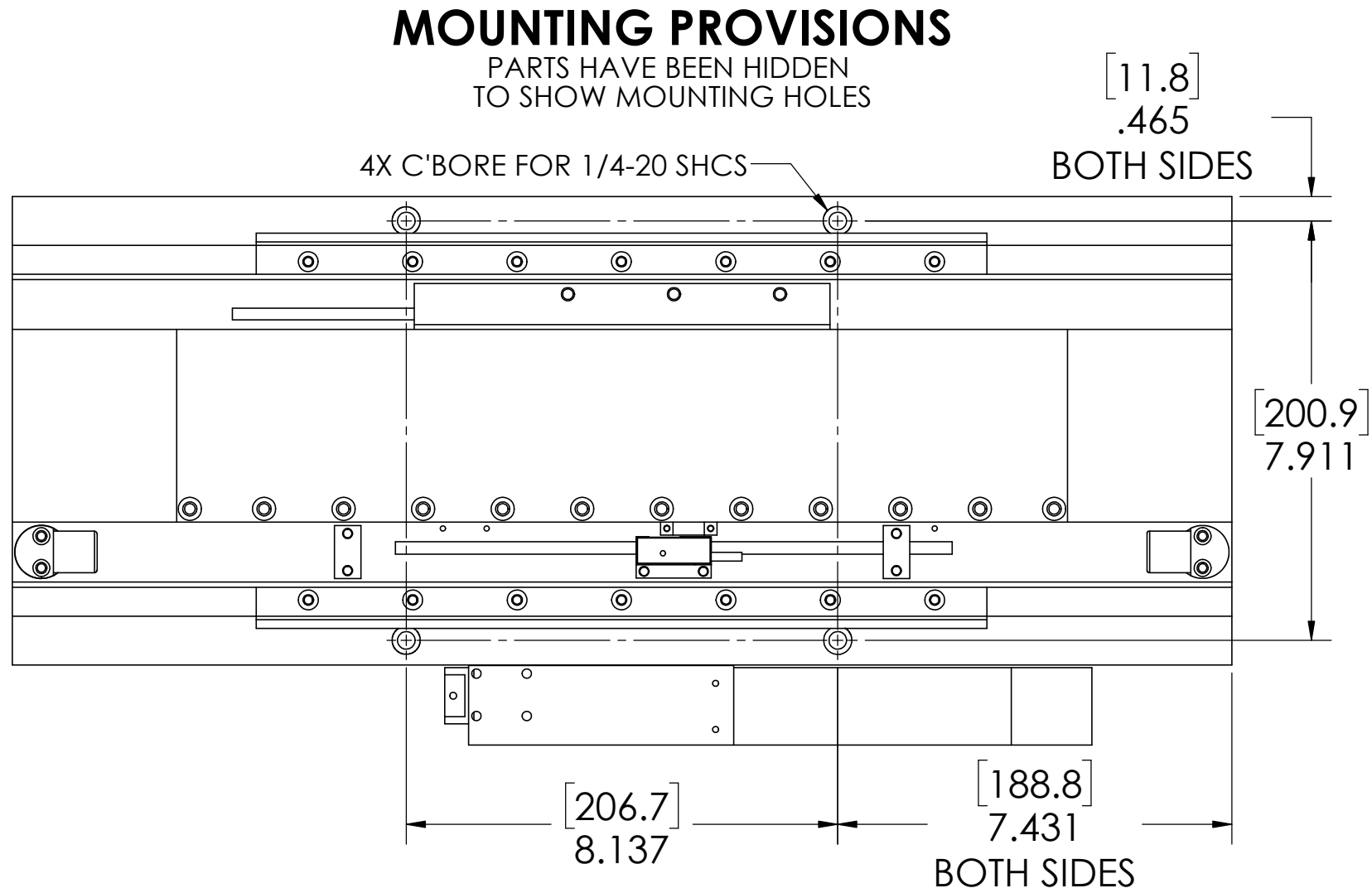


REVISION TABLE					
REV	ECN#	DESCRIPTION	REV BY	APPROVED	DATE
--	--	Original Drawing	OOG	MPW	8-9-11



CROSSED ROLLER POSITIONING STAGE SPECIFICATIONS		
Motor P/N	BLDD-02	
Stroke	9 in	228.6 mm
Encoder Resolution	0.1 micron	
Bearing Type	Crossed Roller	
Moving Mass	13.04 lbs	5914 g
Total Mass	51.39 lbs	23310 g
Resistance @ 20C	8.0 ohms	
Inductance @ 20C	10 mH	
Electrical Time Constant	1.3 msec	
Motor Constant	4.40 LBS/SQRT(Watt)	19.57 N/SQRT(Watt)
Force Constant	12.3 LBS/Amp	54.5 N/Amp
Back EMF	1.60 V/ips	63.0 V/m/sec
Force @ 100% Duty	52.4 lbs	233.1 N
Power @ 100% Duty	142 watts	
Current @ 100% Duty	4.3 amps	
Force @ 10% Duty	157.2 lbs	669.3 N
Power @ 10% Duty	1278 watts	
Current @ 10% Duty	12.9 amps	
Stage Length	23 in	584.2 mm
Stage Width	9.95 in	252.73 mm
Stage Height	3.05 in	77.47 mm



**H2W Technologies, Inc.**  
Santa Clarita, CA 91350 USA  
Tel: (661) 291-1620  
[www.h2wtech.com](http://www.h2wtech.com)

These drawings and specifications are the property of H2W Technologies, Inc. They are issued in confidence and shall not be reproduced, copied, or used without written permission from H2W Technologies, Inc.

UNLESS SPECIFIED OTHERWISE:  
All dimensions are in inches  
Standard Tolerances are as follows  
.XXX ±.005 ANGLES ±.1°  
.XX ±.010 FILLETS .010  
.X ±.020 CORNERS .010  
Remove All Burrs and Sharp Edges

**FOR  
REFERENCE  
ONLY**

MATERIAL

FINISH

TITLE

Crossed Roller Positioning Stage Model #:  
**XRS-009-10-050-001**

DWG #

**42-0047**

REV

----

DATE

8-9-11

SHEET

2 of 2