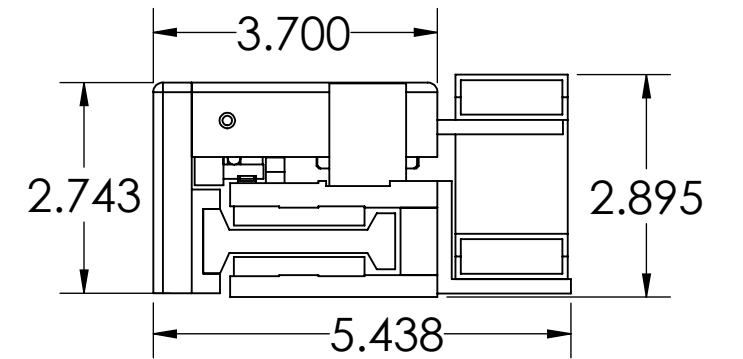
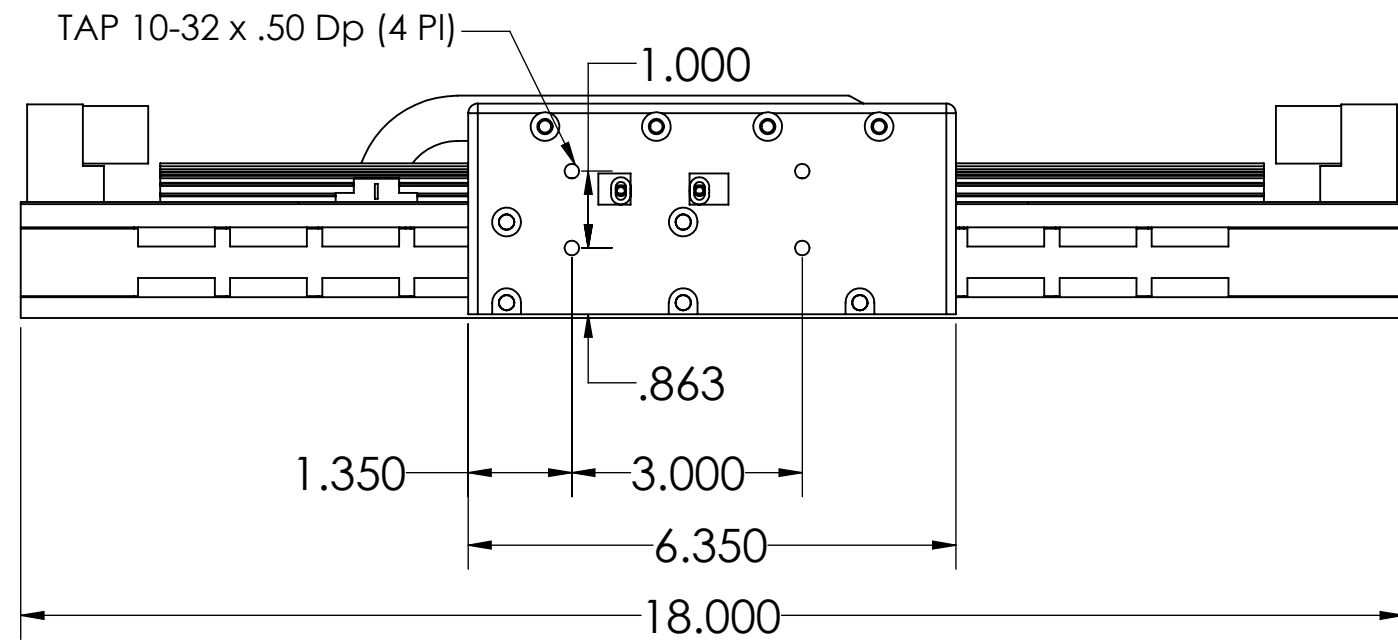
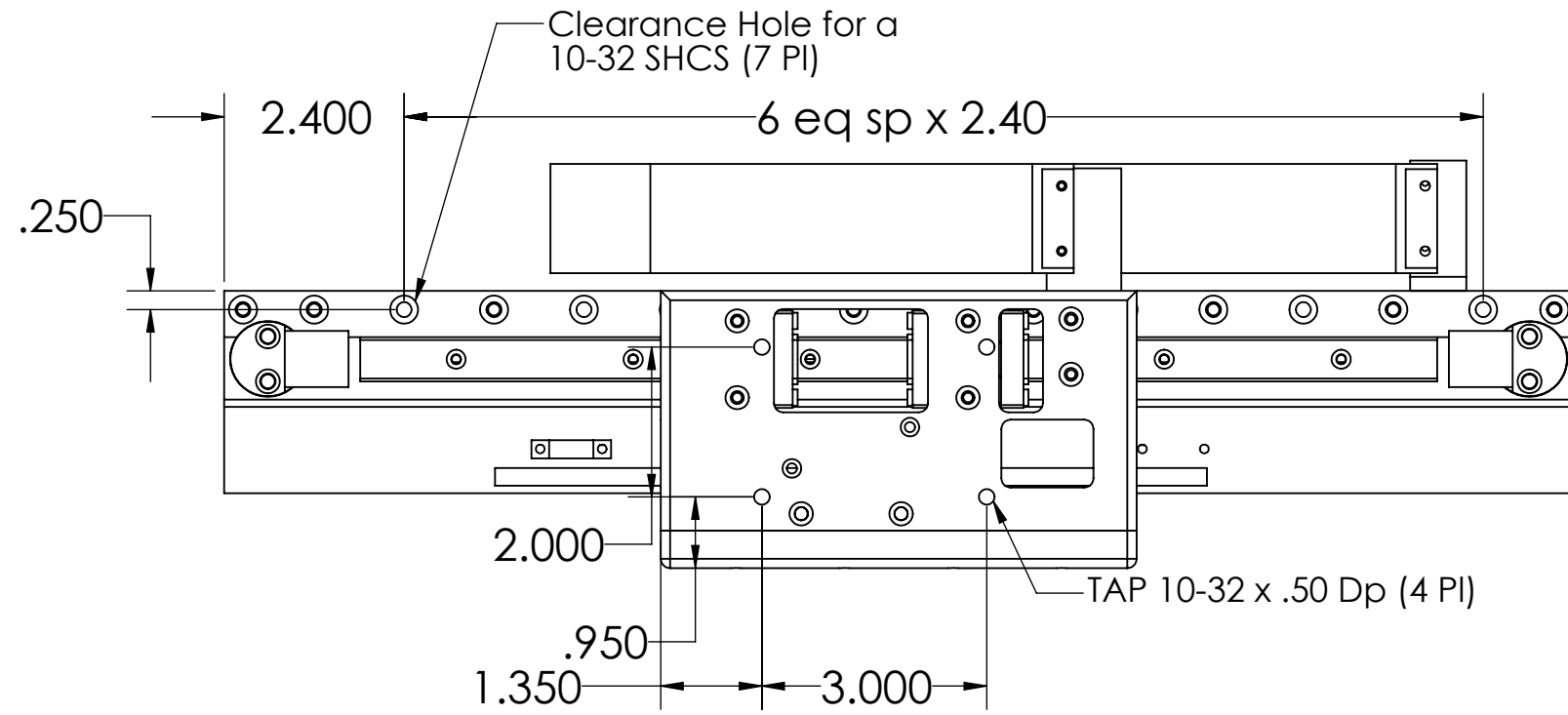


These drawings and specifications are the property of H2W Technologies, Inc. They are issued in confidence and shall not be reproduced, copied, or used without written permission from H2W Technologies, Inc.

REVISION TABLE						
REV	ECN#	DESCRIPTION	REV BY	APPROVED	DATE	
---	---	Original Drawing	OOG	MPW	9-25-13	



Motor Shown at mid-stroke

UNLESS SPECIFIED OTHERWISE:
 All dimensions are in inches
 Standard Tolerances are as follows
 .XXX ±.005 ANGLES ±1°
 .XX ±.010 FILLETS AND
 .X ±.020 CORNERS .010
 Remove All Burrs and Sharp Edges

MATERIAL		FINISH	
DRAWN	DATE	APPROVED	DATE
OOG	12-11-12	MPW	12-11-12

TITLE			
Single Rail Positioning Stage			
Model #: SRS-008-04-020-01V			
DWG #	REV	SHEET	
40-0272	---	1 of 1	

H2W Technologies, Inc.
 26470 Ruether Ave #102 Santa Clarita, CA 91350 USA
 Tel: (661) 251-2081 Fax: (661) 251-2067
 www.h2wtech.com

These drawings and specifications are the property of H2W Technologies, Inc. They are issued in confidence and shall not be reproduced, copied, or used without written permission from H2W Technologies, Inc.

SINGLE RAIL POSITIONING STAGE SPECIFICATIONS		
Motor P/N	BLDC-02	
Stroke	8.25 in	209.5 mm
Encoder Resolution	1 micron	
Bearing Type	Recirculating Ball	
Moving Mass	3.5 lbs	1.6 kg
Total Mass	18.0 lbs	8.2 kg
Resistance @ 20C	8.1 ohms	
Inductance @ 20C	6.0 mH	
Electrical Time Constant	0.7 msec	
Motor Constant	2.12 LBS/SQRT(Watt)	9.43 N/SQRT(Watt)
Force Constant	6.1 LBS/Amp	27.3 N/Amp
Back EMF	0.80 V/ips	31.5 V/m/sec
Force @ 100% Duty	20.6 lbs	91.6 N
Power @ 100% Duty	95 watts	
Current @ 100% Duty	3.4 amps	
Force @ 10% Duty	61.8 lbs	274.8 N
Power @ 10% Duty	846 watts	
Current @ 10% Duty	10.2 amps	
Stage Length	18 in	457.2 mm
Stage Width	5.4 in	137.2 mm
Stage Height	2.85 in	72.4 mm

NOTE: Stage uses vacuum compatible components

