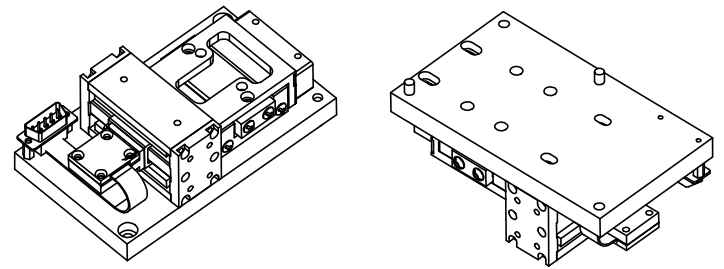
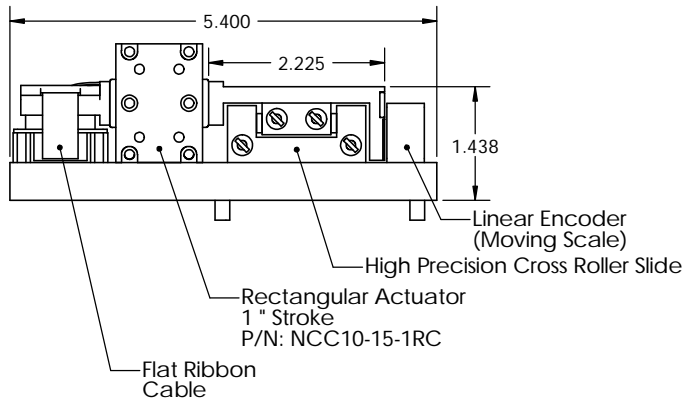
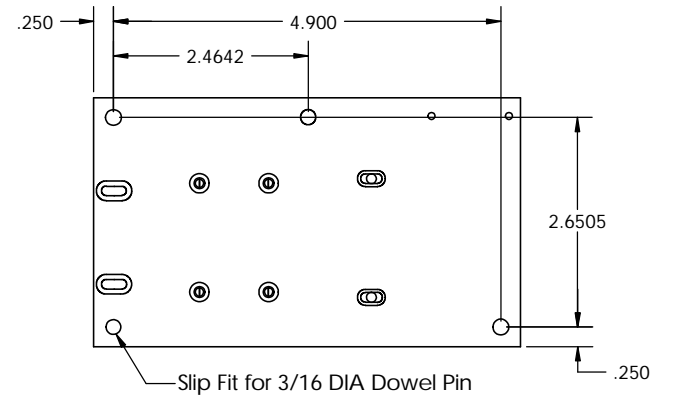
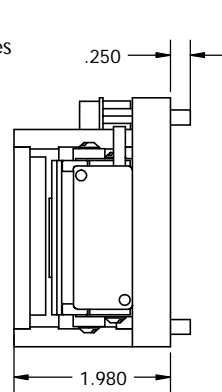
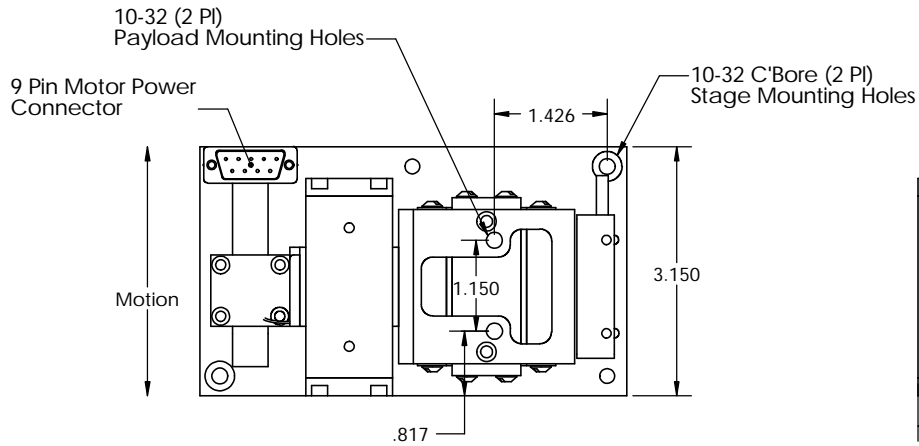


These drawings and specifications are the property of H2W Technologies, Inc. They are issued in confidence and shall not be reproduced, copied, or used without written permission from H2W Technologies, Inc.



| Stage Specifications | |
|----------------------|-----------------|
| Motor P/N | NCC10-15-027-RC |
| Stroke | 1.0" |
| Force | 2.7 lb Cont. |
| | 8.1 lb Peak |
| Bearing Type | Cross Roller |
| Encoder Resolution | 0.1 Micron |

| RELEASED FOR MFG. | | | | H2W Technologies, Inc. | |
|------------------------------------------------------------------------------------------------------------------------------------------------------------|------------|----------|---------|--------------------------------------------|--------|
| DATE | 4-7-03 | | | 28310-C Ave Crocker Valencia, CA 91355 USA | |
| BY | [Redacted] | | | Tel: (661)-702-9346 Fax: (661)-702-9348 | |
| | | | | www.h2wtech.com | |
| UNLESS OTHERWISE SPECIFIED: ALL DIMENSIONS IN INCHES XXX ANGLES ±1° XX ±.010 FILETS AND X ±.020 CORNERS 0.010 REMOVE ALL BURRS, SHARP EDGES | | | | TITLE | |
| MATERIAL | | | | VCS10-027-CR-001 | |
| FINISH | | | | DWG # 30-0180 | |
| DRAWN | DATE | APPROVED | DATE | REV | ECN |
| | 3-14-03 | | 3-14-03 | C | ECI228 |