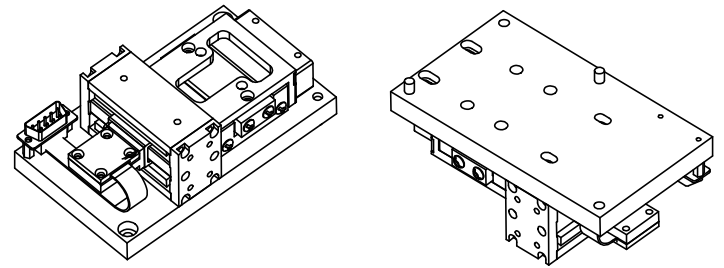
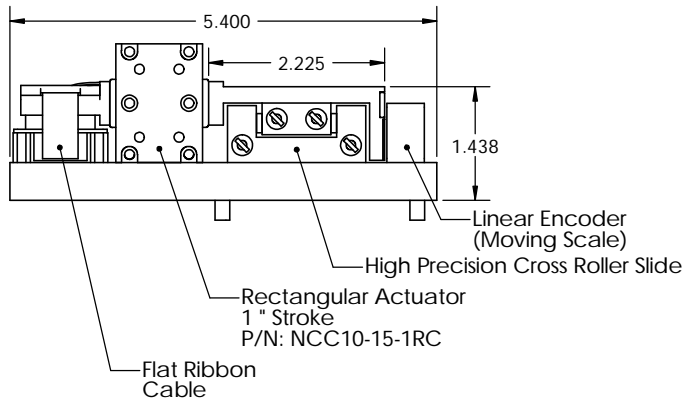
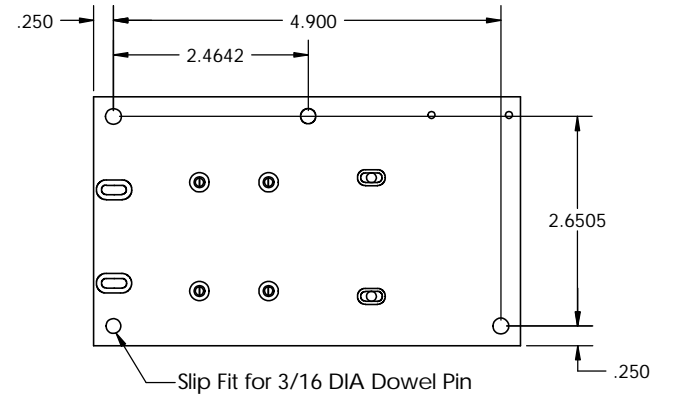
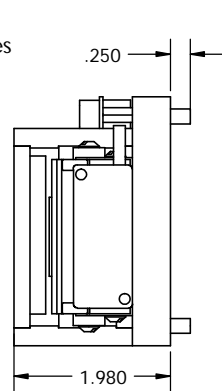
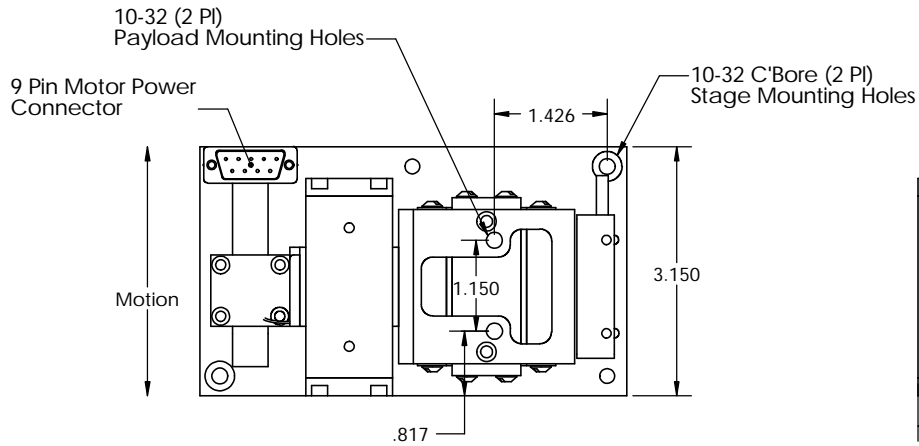


These drawings and specifications are the property of H2W Technologies, Inc. They are issued in confidence and shall not be reproduced, copied, or used without written permission from H2W Technologies, Inc.



Stage Specifications	
Motor P/N	NCC10-15-027-RC
Stroke	1.0"
Force	2.7 lb Cont.
	8.1 lb Peak
Bearing Type	Cross Roller
Encoder Resolution	0.1 Micron

RELEASED FOR MFG.				H2W Technologies, Inc.	
DATE	4-7-03			28310-C Ave Crocker Valencia, CA 91355 USA	
BY	[Redacted]			Tel: (661)-702-9346 Fax: (661)-702-9348	
				www.h2wtech.com	
UNLESS OTHERWISE SPECIFIED: ALL DIMENSIONS IN INCHES XXX ANGLES ±1° XX ±.010 FILETS AND X ±.020 CORNERS 0.010 REMOVE ALL BURRS, SHARP EDGES				TITLE	
MATERIAL				VCS10-027-CR-001	
FINISH				DWG # 30-0180	
DRAWN	DATE	APPROVED	DATE	REV	ECN
	3-14-03		3-14-03	C	ECI228