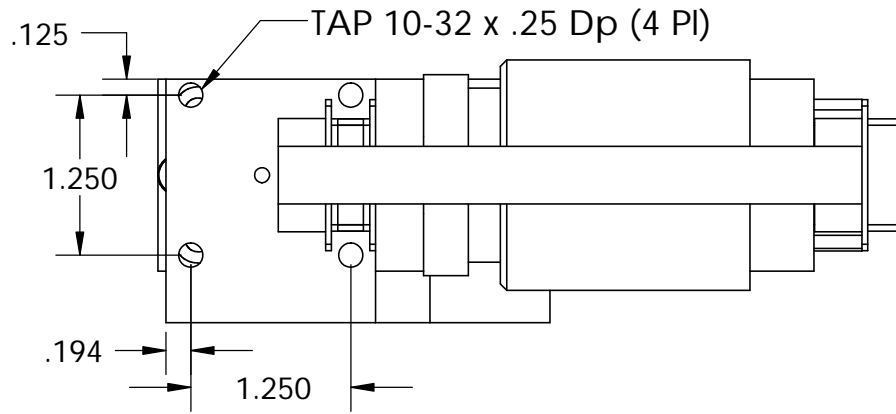


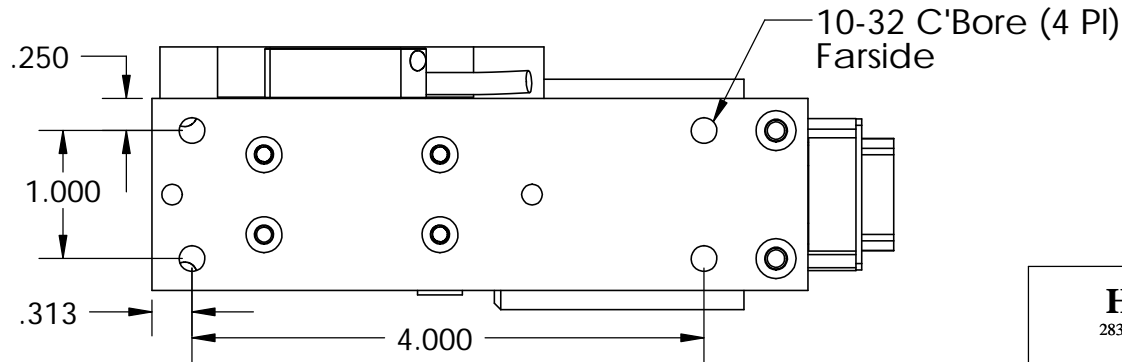
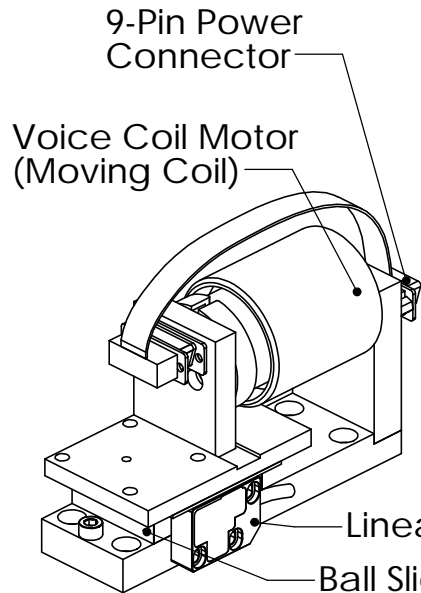
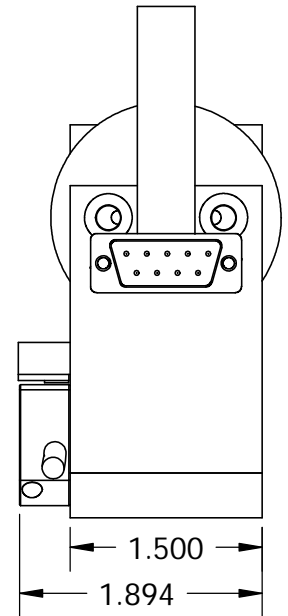
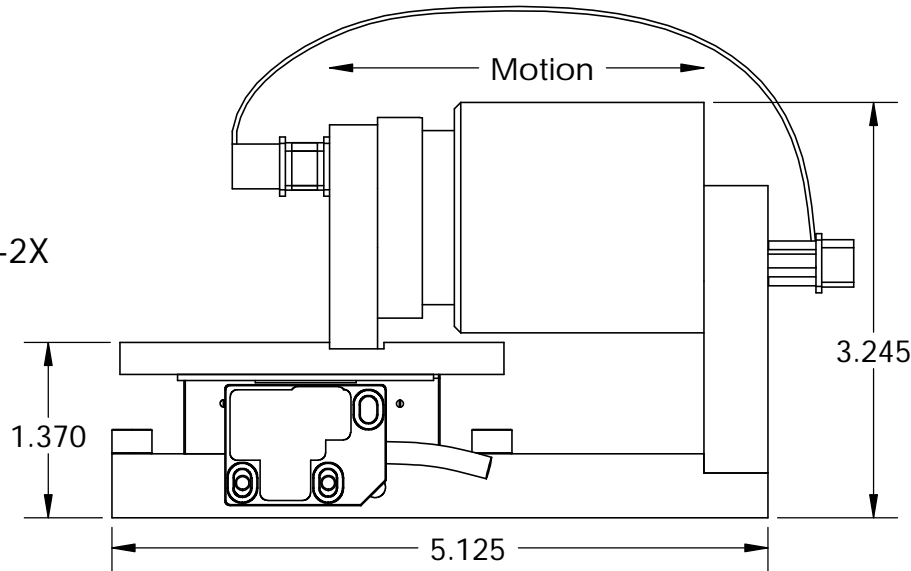
These drawings and specifications are the property of H2W Technologies, Inc. They are issued in confidence and shall not be reproduced, copied, or used without written permission from H2W Technologies, Inc. (www.h2wtech.com)



Specs:

Stroke = 0.50 in
 Force (Cont) = 6.0 lbs
 Force (Peak) = 18.0 lbs
 Encoder = 1 micron

Motor P/N: NCC05-18-060-2X



H2W Technologies, Inc.			
28310-C Ave Crocker Valencia, CA 91355 USA Tel: (661)-702-9346 Fax: (661)-702-9348 www.h2wtech.com			
TITLE			
VCS05-060-BS-01-M-C-D			
DWG #	REV	SHEET	
31-0118	---	1 of 1	

UNLESS SPECIFIED OTHERWISE: All dimensions are in inches Standard Tolerances are as follows .XXX ±.005 ANGLES ±1° .XX ±.010 FILLETS .010 .X ±.020 CORNERS .010 Remove All Burrs and Sharp Edges				MATERIAL	
				FINISH	
DRAWN	DATE	APPROVED	DATE		
OGG	10-23-08	MPW	10-23-08		