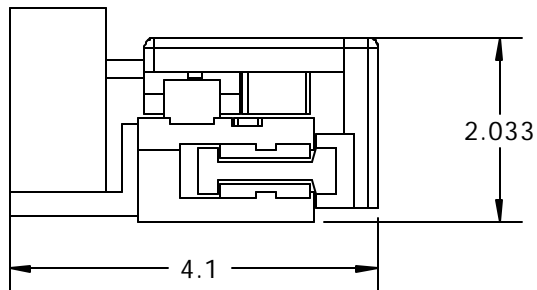
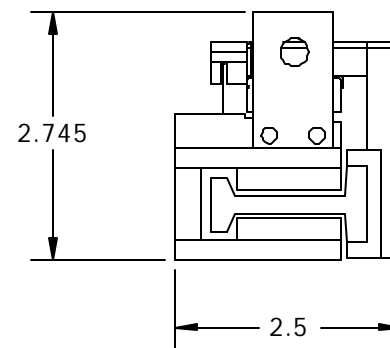


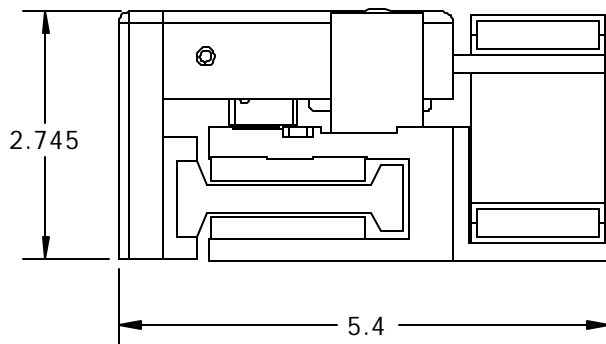
These drawings and specifications are the property of H2W Technologies, Inc. They are issued in confidence and shall not be reproduced, copied, or used without written permission from H2W Technologies, Inc. (www.h2wtech.com)



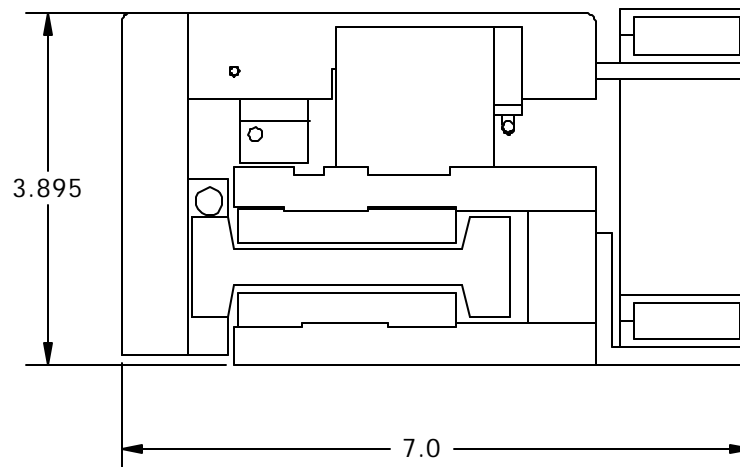
FORCE LEVEL 1
Continuous Forces 6-10 lbs
Peak Forces 18-30 lbs



FORCE LEVEL 2
Continuous Forces 7-25 lbs
Peak Forces 21-75 lbs



FORCE LEVEL 3
Continuous Forces 11-60 lbs
Peak Forces 33-180 lbs



FORCE LEVEL 4
Continuous Forces 50-200 lbs
Peak Forces 150-600 lbs

H2W Technologies, Inc.
28310-C Ave Crocker Valencia, CA 91355 USA
Tel: (661)-702-9346 Fax: (661)-702-9348
www.h2wtech.com

UNLESS SPECIFIED OTHERWISE: All dimensions are in inches Standard Tolerances are as follows .XXX ±.005 ANGLES ±1° .XX ±.010 FILLETS .010 .X ±.020 CORNERS .010 Remove All Burrs and Sharp Edges				MATERIAL		TITLE SR Stage End View Comparison	
				FINISH			
DRAWN JRM	DATE 10-04-05	APPROVED MPW	DATE 10-04-05	DWG # 40-0116	REV	SHEET 1 of 1	