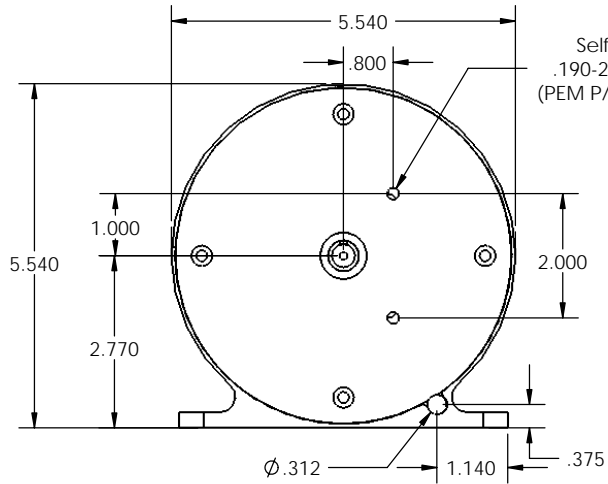
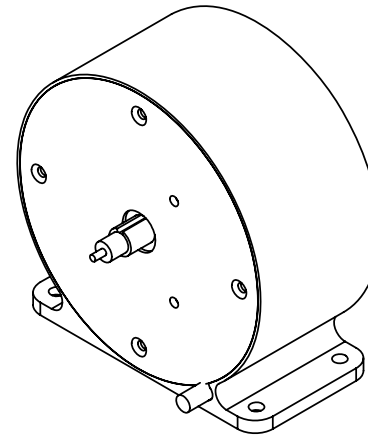
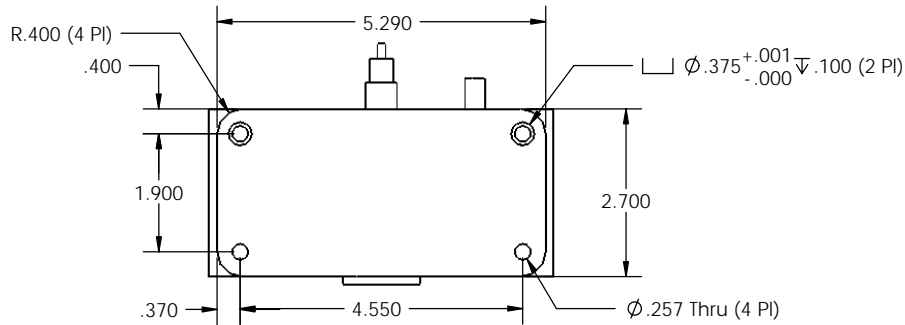
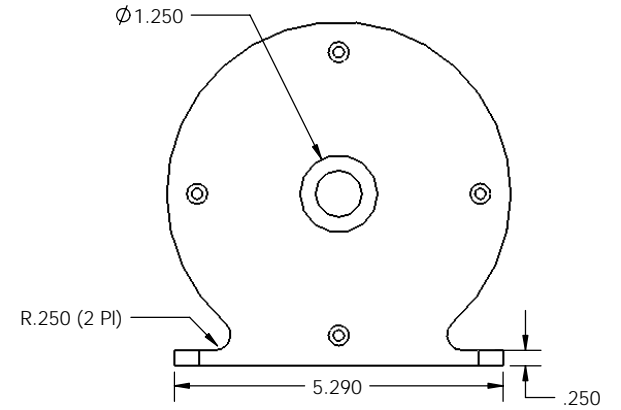
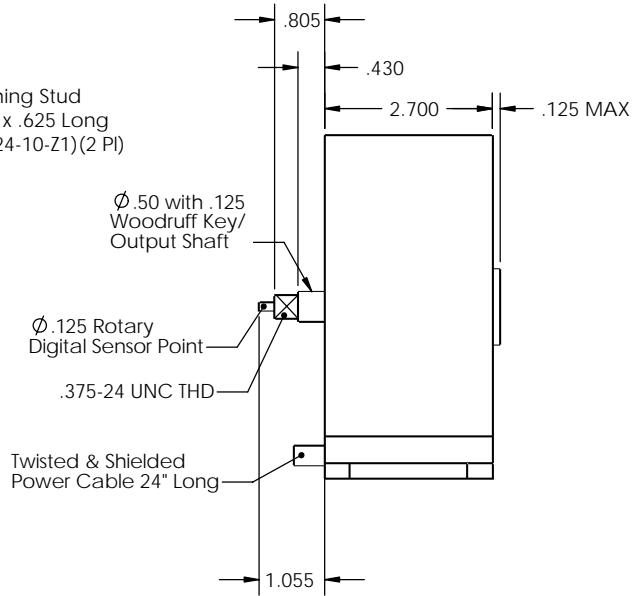


These drawings and specifications are the property of H2W Technologies, Inc. They are issued in confidence and shall not be reproduced, copied, or used without written permission from H2W Technologies, Inc.



Self Clinching Stud
.190-24 UNC x .625 Long
(PEM P/N FH024-10-Z1)(2 Pl)



SPECIFICATIONS	
Model Number:	TMR-040-875-4H
Constant Torque Angular Displacement:	40 degrees
Resistance:	3 ohms
Total Weight:	5200 grams
Continuous Torque:	875 in-oz*
Peak Torque:	2625 in-oz*
Motor Constant:	95.0 in-oz/sqrt(watts)

*With proper heat sinking.

RELEASED FOR MFG.				H2W Technologies, Inc.	
DATE	11-19-04			28310-C Ave Crocker, Valencia, CA 91355 USA	
BY	<i>Carle</i>			Tel: (661)-702-9246 Fax: (661)-702-9248	
				www.h2wtech.com	
MATERIAL				TITLE	
FINISH				TMR-040-875-4H	
DRAWN	DATE	APPROVED	DATE	DWG #	REV
ODG	11-19-04	MPW	11-19-04	80-0084	---
					ECN

UNLESS OTHERWISE SPECIFIED:
ALL DIMENSIONS IN INCHES
XXX ANGLES ±1
XX ±.010 FILLETS AND
X ±.020 CORNERS 0.010
REMOVE ALL BURRS, SHARP EDGES