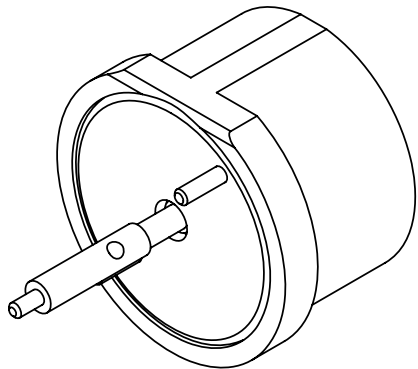
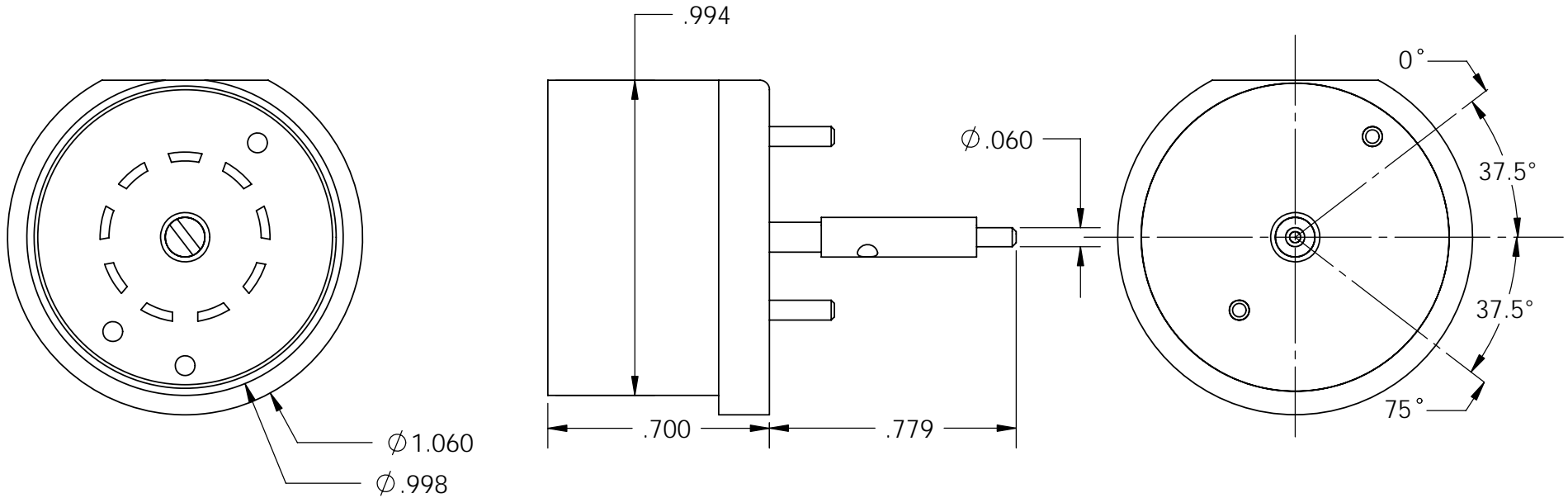


These drawings and specifications are the property of H2W Technologies, Inc. They are issued in confidence and shall not be reproduced, copied, or used without written permission from H2W Technologies, Inc.



SPECIFICATIONS	
Model Number:	TMR-075-005-2H
Constant Torque Angular Displacement:	75 degrees
Resistance:	21 ohms
Total Weight:	31 grams
Continuous Torque:	1 in-oz
Peak Torque:	3 in-oz
Motor Constant:	0.42 in-oz/sqrt(watts)

RELEASED FOR MFG.				H2W Technologies, Inc.		
DATE	5-20-03			28310-C Ave Crocker Valencia, CA 91355 USA		
BY	<i>Andrew</i>			Tel: (661)-702-9346 Fax: (661)-702-9348		
MATERIAL				www.h2wtech.com		
FINISH				TITLE		
				TMR-075-005-2H		
DRAWN	DATE	APPROVED	DATE	DWG #	REV	ECN
OOG	6-20-03	MPW	6-20-03	80-0070	---	

UNLESS SPECIFIED OTHERWISE:  
 All dimensions are in inches  
 Standard Tolerances are as follows  
 .XXX ±.005 ANGLES ±1°  
 .XX ±.010 FILLETS AND  
 X ±.020 CORNERS .010  
 Remove All Burrs and Sharp Edges