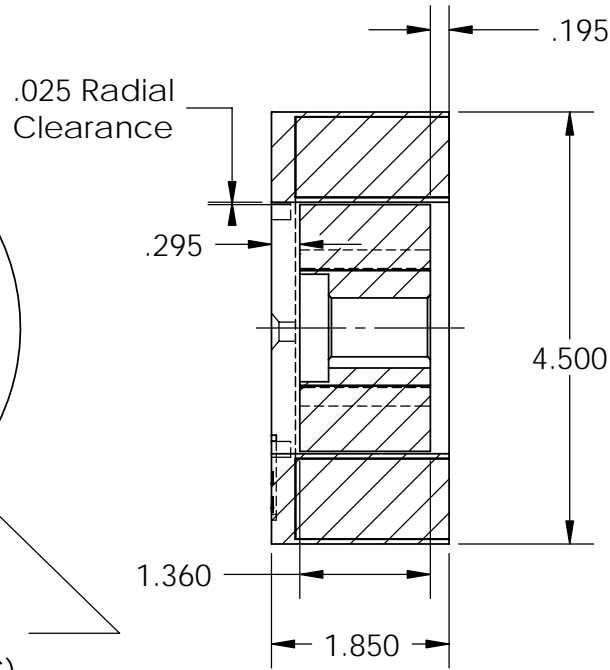
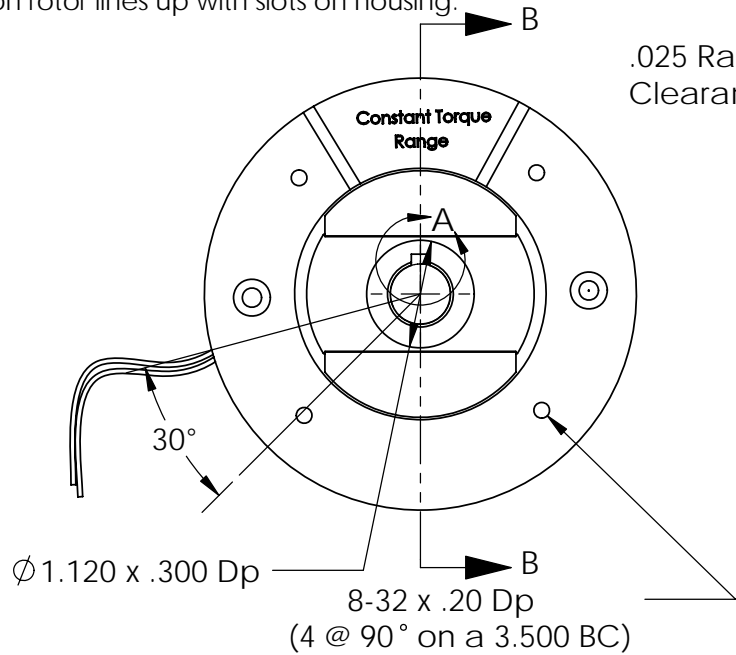


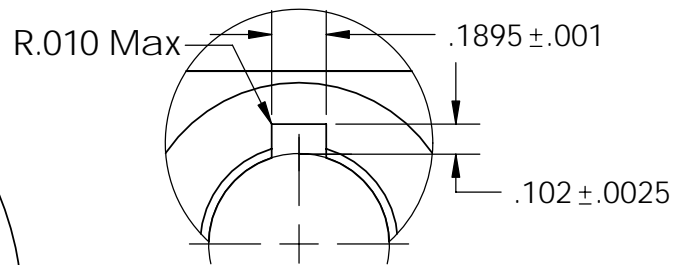
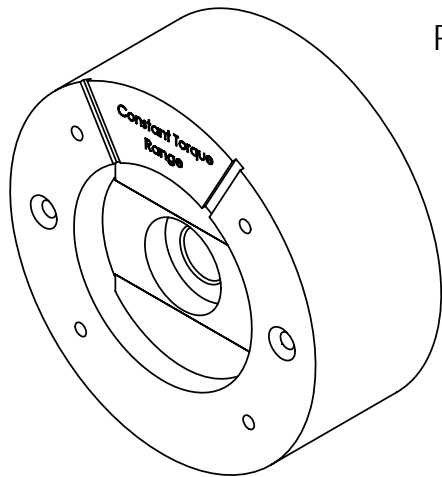
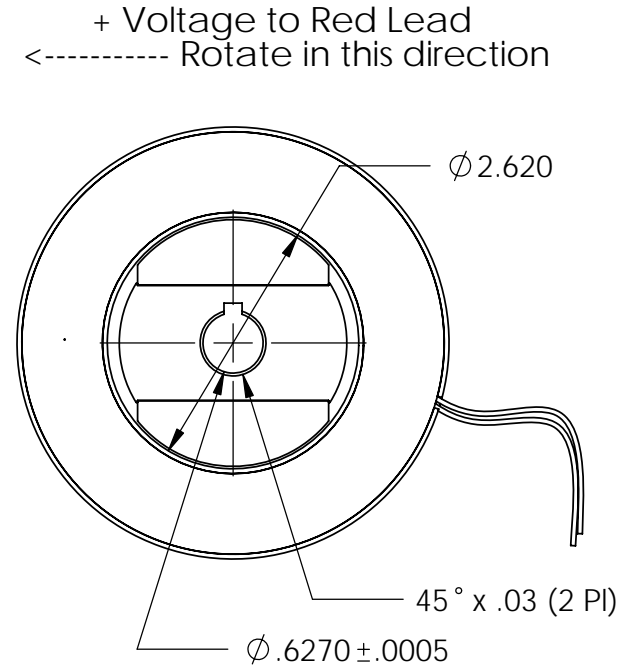
These drawings and specifications are the property of H2W Technologies, Inc. They are issued in confidence and shall not be reproduced, copied, or used without written permission from H2W Technologies, Inc.

**Note:**

Rotor shown in mid rotation position  
 Rotation limits are when keyway slot on rotor lines up with slots on housing.



SECTION B-B



DETAIL A  
 SCALE 1.5 : 1

SPECIFICATIONS	
Model Number:	TMR-060-100-2V
Constant Torque Displacement:	60 degrees
Resistance:	25 ohms
Total Weight:	2240 grams
Continuous Torque:	100 in-oz
Peak Torque:	300 in-oz
Motor Constant:	31 in-oz/sqrt(watts)

**H2W Technologies, Inc.**  
 28310-C Ave Crocker Valencia, CA 91355 USA  
 Tel: (661)-702-9346 Fax: (661)-702-9348  
 www.h2wtech.com

UNLESS SPECIFIED OTHERWISE:  
 All dimensions are in inches  
 Standard Tolerances are as follows  
 .XXX ±.005 ANGLES ±1°  
 .XX ±.010 FILLETS AND  
 X ±.020 CORNERS .010  
 Remove All Burrs and Sharp Edges

MATERIAL			
FINISH			
DRAWN MPW	DATE 2-13-02	APPROVED FGW	DATE 2-13-02

TITLE		
<b>TMR-060-100-2V</b>		
DWG #	REV	ECN
<b>80-0014</b>		