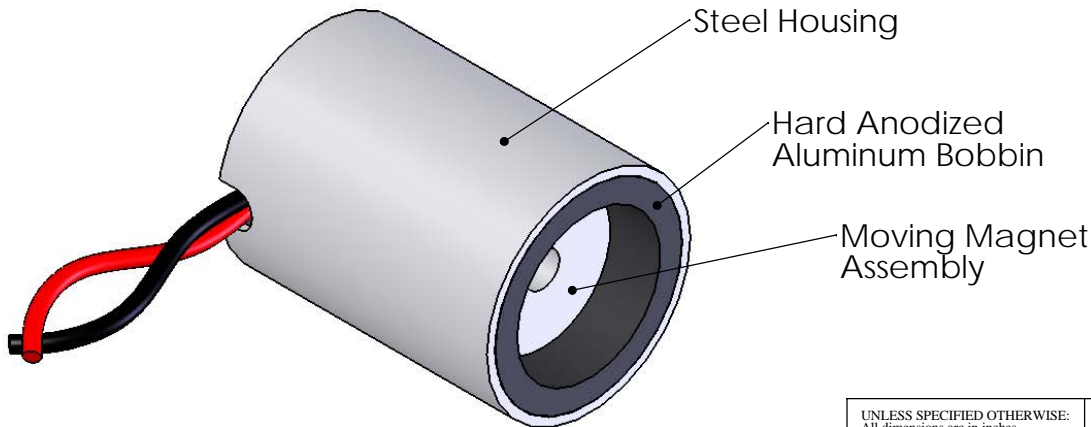
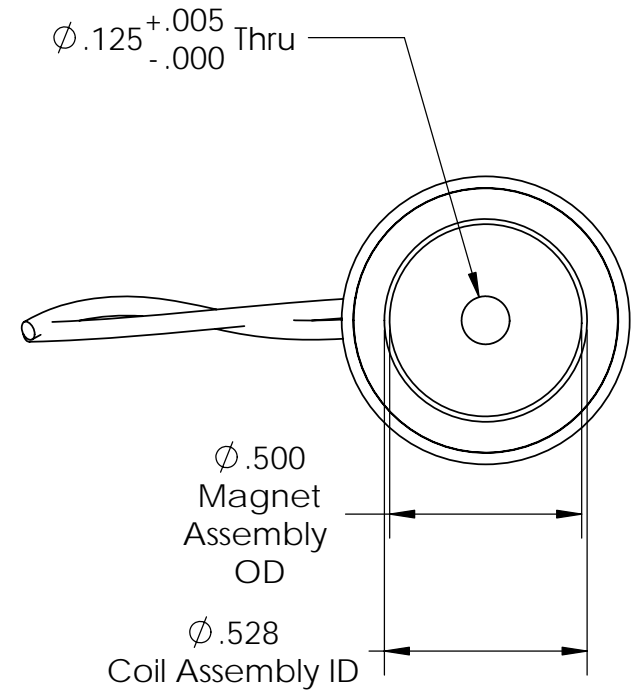
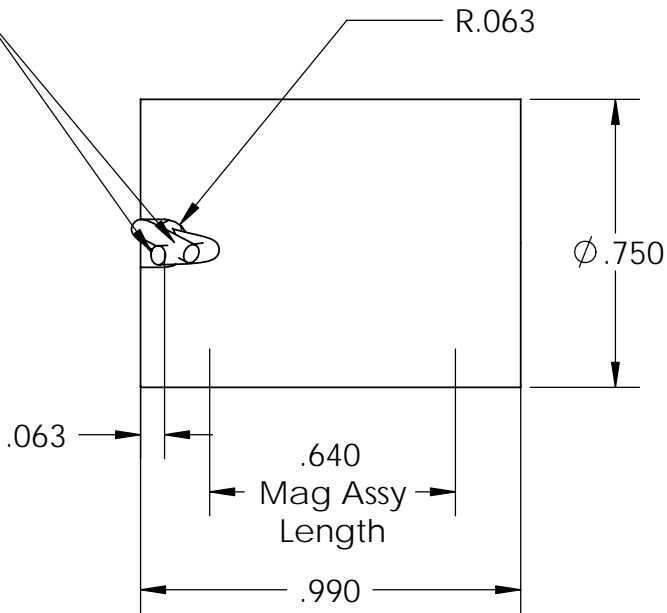


These drawings and specifications are the property of H2W Technologies, Inc. They are issued in confidence and shall not be reproduced, copied, or used without written permission from H2W Technologies, Inc. (www.h2wtech.com)

Power Leads (2)
22 AWG Lead Wire



Specifications	
P/N	NCM01-08-008-3X
Stroke	0.085"
Radial Clearance	0.015" per side
Bearing Type	None Provided
Motor Constant	0.31 lbs/sqrt (watt)
Continuous Force	0.6 lbs
Max Power @ 100% Duty	3.75 watts
Peak Force @ 10% Duty	1.8 lbs
Max Power @ 10% Duty	34 watts
Resistance @ 20 C	17.5 ohm
Inductance @ 20 C	1.7 mH
Electrical Time Constant	0.097 msec
Moving Mass	15 grams
Total Mass	35 grams

H2W Technologies, Inc.

28310-C Ave Crocker Valencia, CA 91355 USA
Tel: (661)-702-9346 Fax: (661)-702-9348
www.h2wtech.com

UNLESS SPECIFIED OTHERWISE:
All dimensions are in inches
Standard Tolerances are as follows
.XXX ±.005 ANGLES ±1°
XX ±.010 FILLETS .010
X ±.020 CORNERS .010
Remove All Burrs and Sharp Edges

MATERIAL			
FINISH			
DRAWN	DATE	APPROVED	DATE
JRM	10-23-06	MPW	10-23-06

TITLE		
NCM01-08-008-3X		
DWG #	REV	SHEET
30-0538		1 of 1