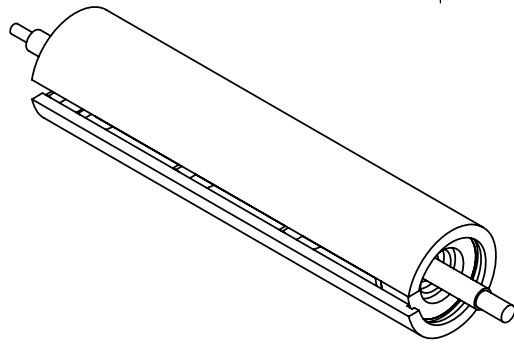
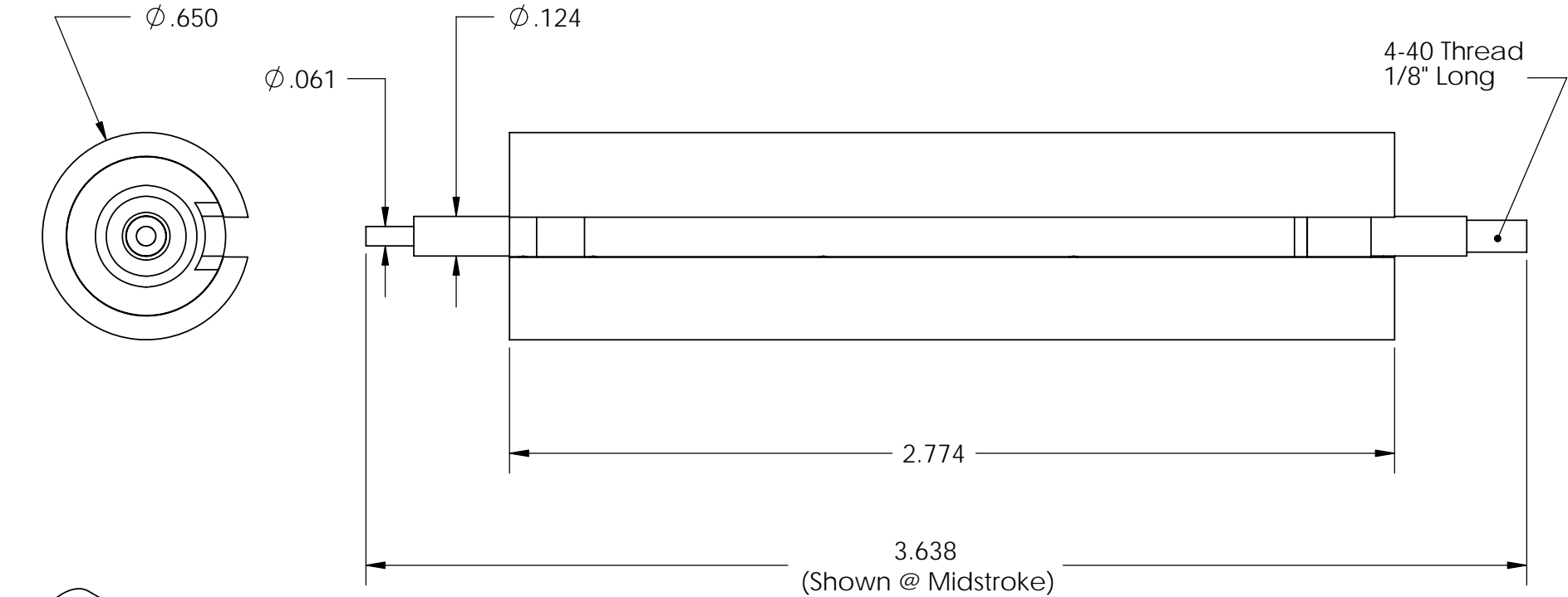
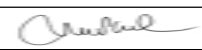


These drawings and specifications are the property of H2W Technologies, Inc. They are issued in confidence and shall not be reproduced, copied, or used without written permission from H2W Technologies, Inc.

SPECIFICATIONS	
Motor P/N	NCM06-06-004-3JB
Stroke	0.60" [15 mm]
Bearing Type	Sapphire Jeweled
Moving Mass	15 grams
Total Mass	55 grams
Resistance	12.0 ohms
Force Constant	0.15 LBS/(Watt) <sup>1/2</sup>
Continuous Force	0.40 LBS
Peak Force	1.20 LBS
Power In @ 100% Duty	7 WATTS
Power In @ 10% Duty	64 WATTS



UNLESS SPECIFIED OTHERWISE:  
 All dimensions are in inches  
 Standard Tolerances are as follows  
 .XXX ±.005 ANGLES ±1°  
 .XX ±.010 FILLETS AND  
 X ±.020 CORNERS .010  
 Remove All Burrs and Sharp Edges

RELEASED FOR MFG.				<b>H2W Technologies, Inc.</b> 28310-C Ave Crocker Valencia, CA 91355 USA Tel: (661)-702-9346 Fax: (661)-702-9348 www.h2wtech.com		
DATE	03-29-05					
BY						
MATERIAL				TITLE		
FINISH				DWG # <b>30-0407</b>		
DRAWN	DATE	APPROVED	DATE	REV	ECN	
JRM	03-29-05	MPW	03-29-05	<b>A</b>		