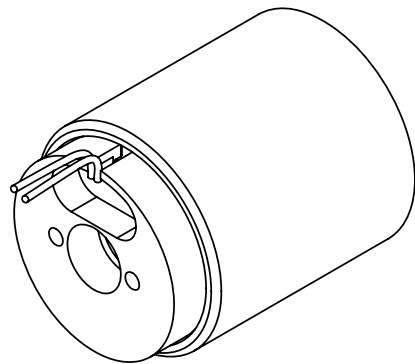
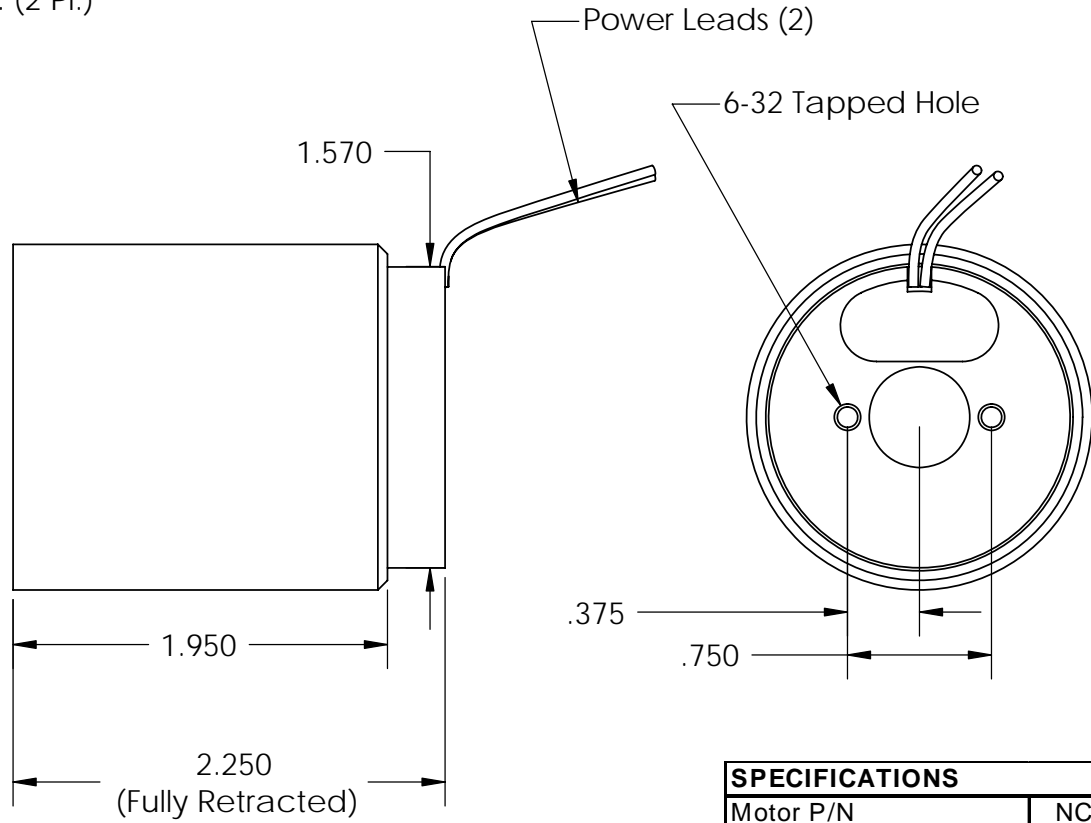
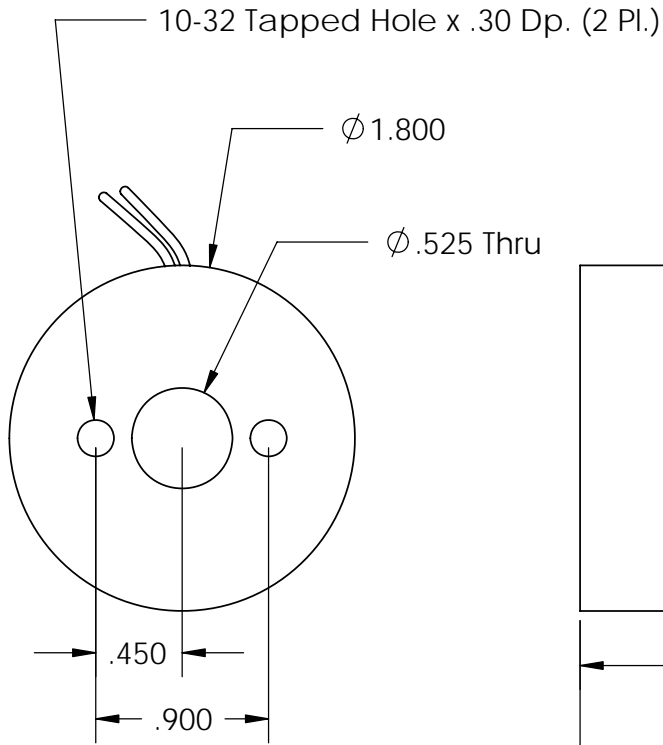


These drawings and specifications are the property of H2W Technologies, Inc. They are issued in confidence and shall not be reproduced, copied, or used without written permission from H2W Technologies, Inc.



SPECIFICATIONS	
Motor P/N	NCC05-18-060-2X
Stroke	0.50"
Radial Clearance	0.015" per side
Moving Mass	99 grams
Total Mass	454 grams
Resistance	11.5 ohms
Force Constant	1.78 LBS/(Watt) <sup>1/2</sup>
Continuous Force	6.00 LBS
Peak Force	18.0 LBS
Power In @ 100% Duty	12 WATTS

RELEASED FOR MFG.				H2W Technologies, Inc.		
DATE		8-31-04		28310-C Ave Crocker Valencia, CA 91355 USA		
BY		<i>Andrew</i>		Tel: (661)-702-9346 Fax: (661)-702-9348		
MATERIAL				www.h2wtech.com		
FINISH				TITLE		
DRAWN		DATE		DWG #		
JRM	8-31-04	APPROVED	DATE	30-0359	REV	ECN
		MPW	8-31-04		A	
				NCC05-18-060-2X		

UNLESS SPECIFIED OTHERWISE:  
 All dimensions are in inches  
 Standard Tolerances are as follows  
 .XXX ±.005 ANGLES ±1°  
 .XX ±.010 FILLETS AND  
 .X ±.020 CORNERS .010  
 Remove All Burrs and Sharp Edges