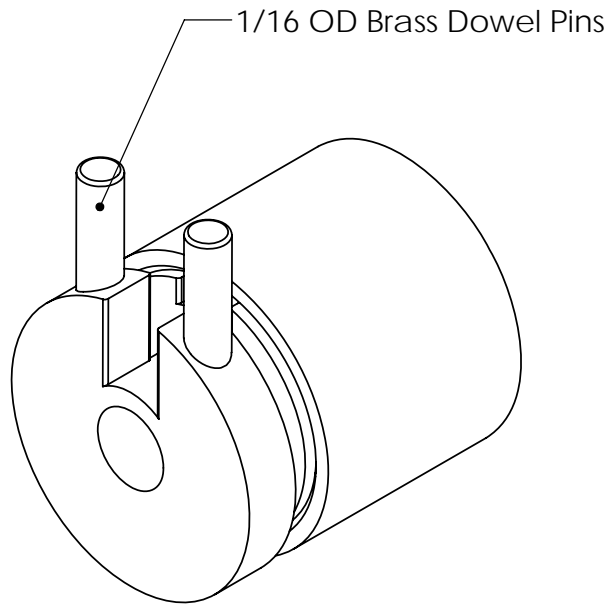
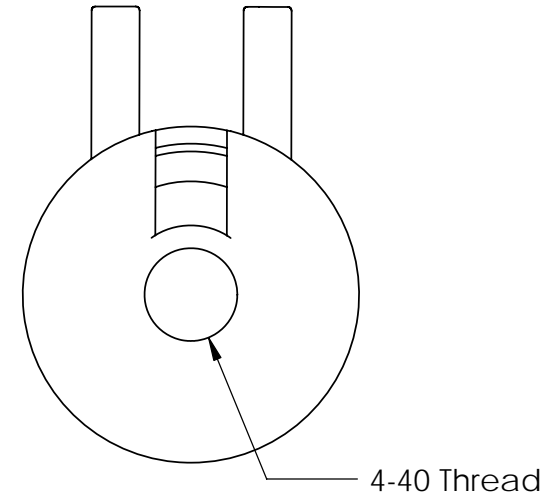
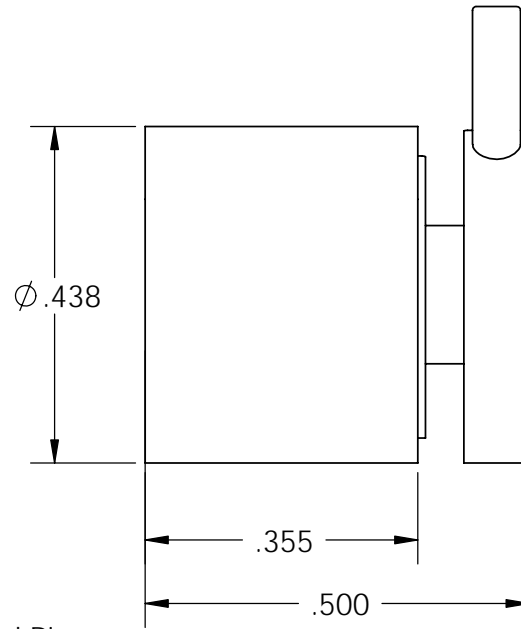
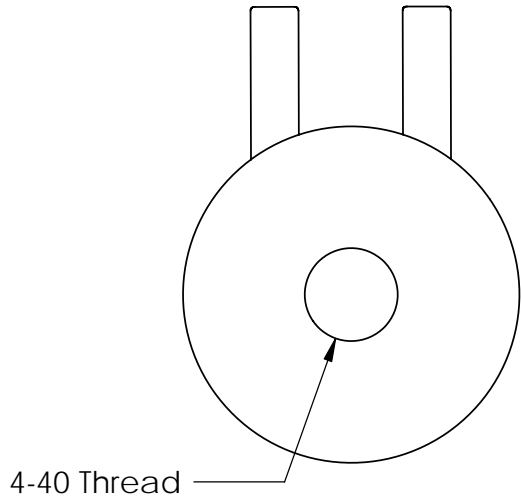


These drawings and specifications are the property of H2W Technologies, Inc. They are issued in confidence and shall not be reproduced, copied, or used without written permission from H2W Technologies, Inc.



Shown in the retracted position

SPECIFICATIONS	
Motor P/N	NCC01-04-001-1X
Stroke	0.125"
Radial Clearance	0.010" per side
Moving Mass	1.2 grams
Total Mass	5.7 grams
Resistance	1.5 OHMS
Force Constant	0.08 LBS/(Watt) ^{1/2}
Continuous Force	0.06 LBS
Peak Force	0.18 LBS
Power In @ 100% Duty	1 WATT

RELEASED FOR MFG.			
DATE	04-22-03		
BY	<i>Andrew</i>		
MATERIAL	-----		
FINISH	-----		
DRAWN	DATE	APPROVED	DATE
JRM	4-22-03	MPW	04-22-03

H2W Technologies, Inc. 28310-C Ave Crocker Valencia, CA 91355 USA Tel: (661)-702-9346 Fax: (661)-702-9348 www.h2wtech.com		
TITLE NCC01-04-001-1X		
DWG #	REV	ECN
30-0205	A	

UNLESS SPECIFIED OTHERWISE:
All dimensions are in inches
Standard Tolerances are as follows
.XXX ±.005 ANGLES ±1°
XX ±.010 FILLETS AND
X ±.020 CORNERS .010
Remove All Burrs and Sharp Edges