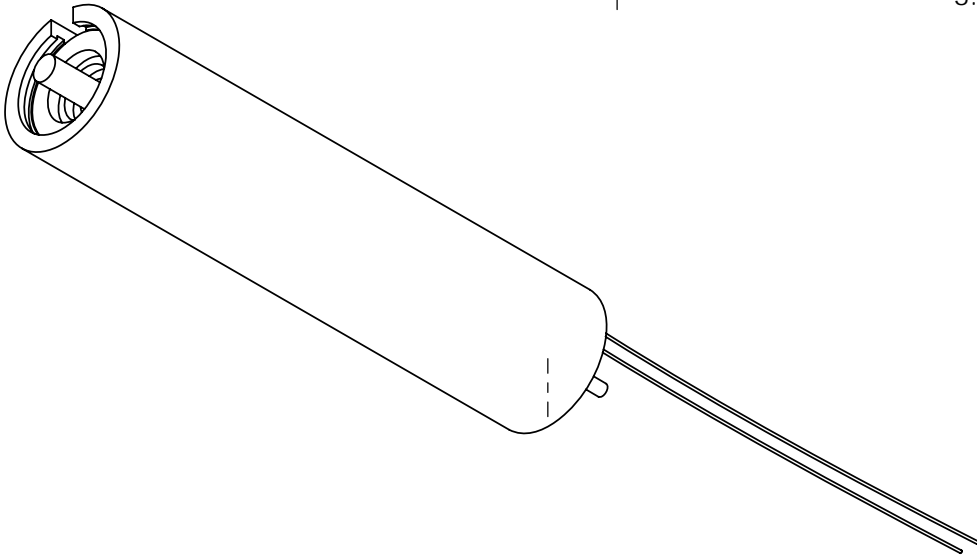
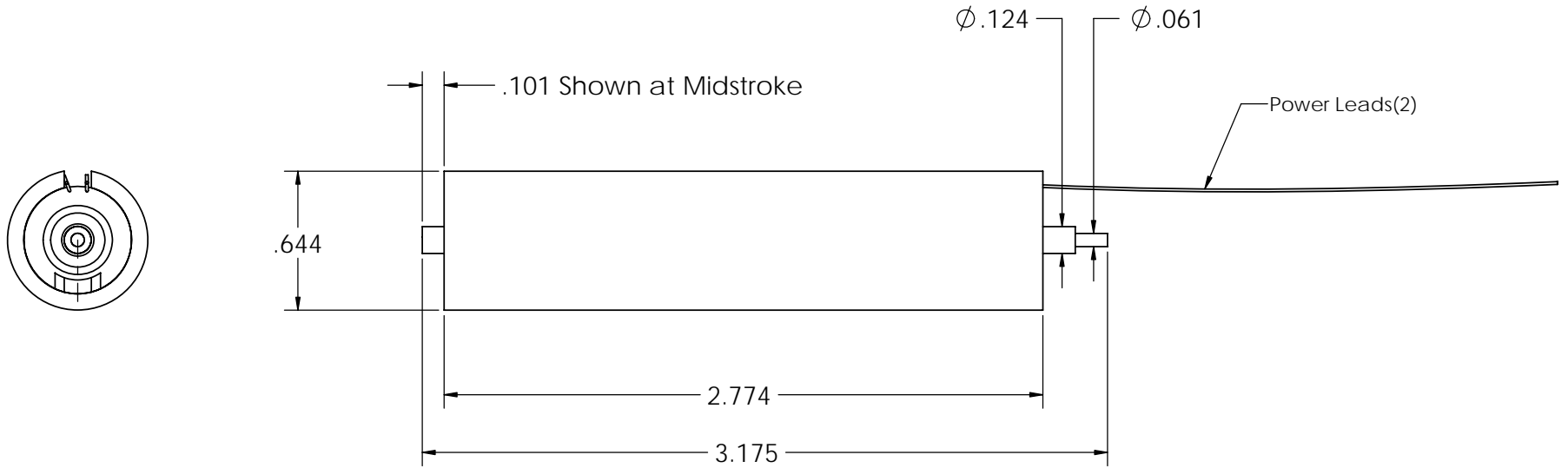


These drawings and specifications are the property of H2W Technologies, Inc. They are issued in confidence and shall not be reproduced, copied, or used without written permission from H2W Technologies, Inc.



SPECIFICATIONS	
Motor P/N	NCM03-06-005-JB
Stroke	0.26"
Bearing Type	Jeweled Sapphire
Moving Mass	15 grams
Total Mass	109 grams
Resistance	5.0 ohms
Force Constant	0.38 LBS/(Watt) <sup>1/2</sup>
Continuous Force	0.50 LBS
Peak Force	1.50 LBS
Power In @ 100% Duty	2 WATTS

RELEASED FOR MFG.		<b>H2W Technologies, Inc.</b> 28310-C Ave Crocker, Valencia, CA 91355 USA Tel: (661)-702-9246 Fax: (661)-702-9248 www.h2wtech.com	
DATE	1-13-03	TITLE <b>NCM03-06-005-5JB</b>	
BY	<i>Case</i>		
MATERIAL	-	DRAWN <b>OCG</b> DATE 1-6-03 APPROVED MPW DATE 1-6-03 DWG # <b>30-0172</b> REV <b>A</b> ECN 1915	
FINISH	-		

UNLESS OTHERWISE SPECIFIED:  
 ALL DIMENSIONS IN INCHES  
 XXX ANGLES ±1  
 XX ±.010 FILLETS AND  
 X ±.020 CORNERS 0.010  
 REMOVE ALL BURRS, SHARP EDGES