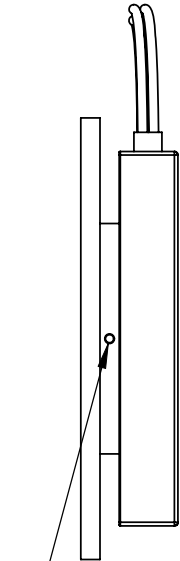


These drawings and specifications are the property of H2W Technologies, Inc. They are issued in confidence and shall not be reproduced, copied, or used without written permission from H2W Technologies, Inc. (www.h2wtech.com)

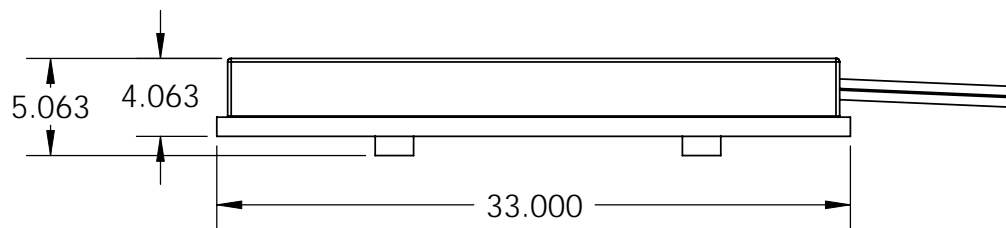
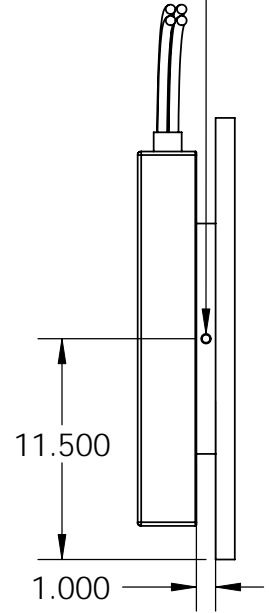
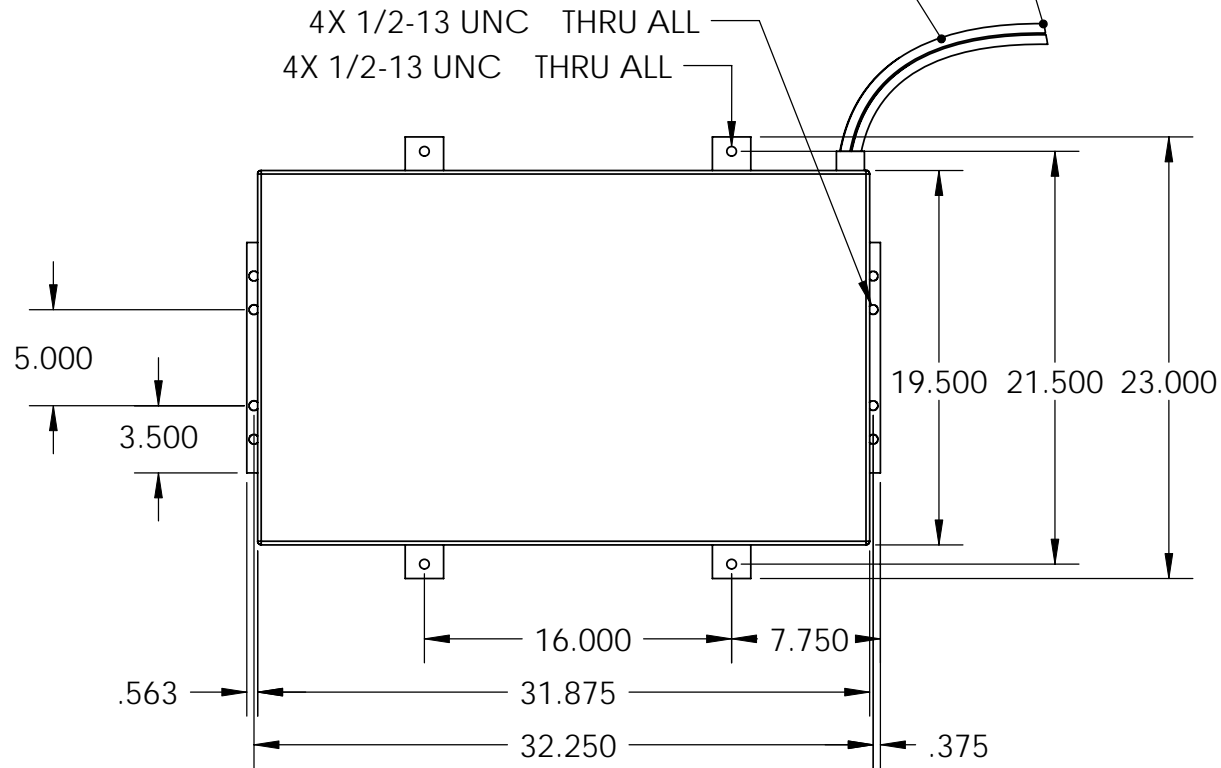
Both Cables will be captured in a 5ft long conduit.

Motor Power Cable  
4 x 4 AWG Conductors  
5ft Long Cable

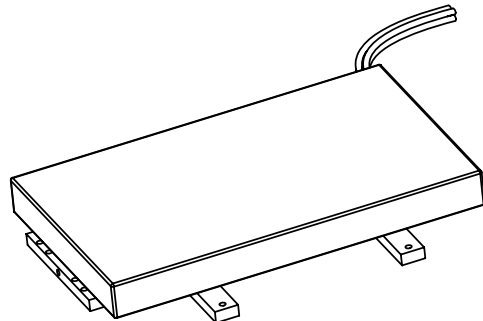
Overload Protection Cable  
5ft Long Cable



1/2-13 UNC  $\nabla$  1.000



**Specifications:**  
Force = 2900 N  
Frequency = 75 Hz  
Current = 370 Amps  
Voltage = 400 Volts



**H2W Technologies, Inc.**  
26470 Ruether Ave. #102 Santa Clarita, CA 91350 USA  
Tel: (661)251-2081 Fax: (661)251-2067  
www.h2wtech.com

UNLESS SPECIFIED OTHERWISE:  
All dimensions are in inches  
Standard Tolerances are as follows  
.XXX  $\pm$ .005 ANGLES  $\pm$ 1°  
.XX  $\pm$ .010 FILLETS .010  
.X  $\pm$ .020 CORNERS .010  
Remove All Burrs and Sharp Edges

MATERIAL			
FINISH			
DRAWN	DATE	APPROVED	DATE
JRM	3-1-11	MPW	3-1-11

TITLE		
Encapsulated Linear Induction Motor Model # LMG-06-650-SSE		
DWG #	REV	SHEET
60-0097	B	1 of 1