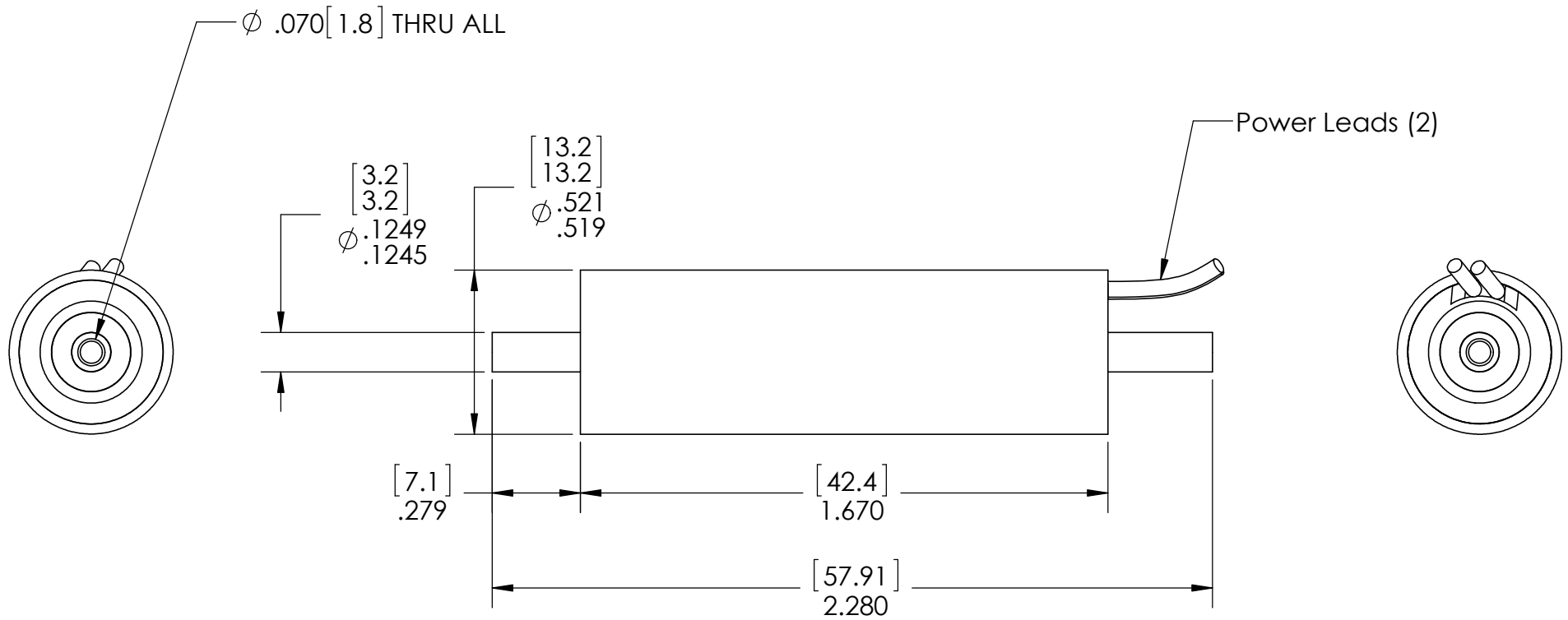
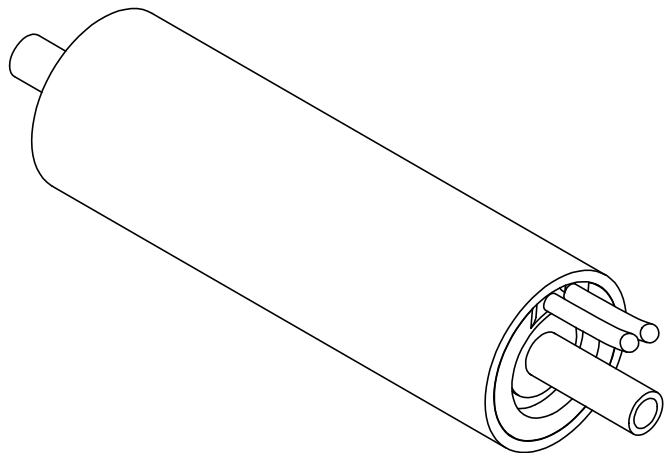


These drawings and specifications are the property of H2W Technologies, Inc. They are issued in confidence and shall not be reproduced, copied, or used without written permission from H2W Technologies, Inc. (www.h2wtech.com)



Shown at Midstroke



**H2W Technologies, Inc.**  
 26470 Ruether Ave. #102 Santa Clarita, CA 91350 USA  
 Tel: (661)251-2081 Fax: (661)251-2067  
 www.h2wtech.com

UNLESS SPECIFIED OTHERWISE:  
 All dimensions are in inches  
 Standard Tolerances are as follows  
 .XXX ±.005 ANGLES ±1°  
 .XX ±.010 FILLETS .010  
 X ±.020 CORNERS .010  
 Remove All Burrs and Sharp Edges

| MATERIAL |          |          |          |
|----------|----------|----------|----------|
| FINISH   |          |          |          |
| DRAWN    | DATE     | APPROVED | DATE     |
| JRM      | 11-17-11 | MPW      | 11-17-11 |

| TITLE   |     |        |
|---|-----|--------|
| DWG #   | REV | SHEET  |
| Non-Commutated DC Linear Actuator<br>Model #NCM02-05-005-4JBH |     |        |
| 30-1054   |     | 1 of 2 |

## NON-COMM ACTUATOR SPECIFICATIONS

|                          |                     |                   |
|--------------------------|---------------------|-------------------|
| Motor P/N                | NCM02-05-005-4JBH   |                   |
| Device Type              | Moving Magnet       |                   |
| Stroke                   | 0.15 in             | 3.8 mm            |
| Radial Clearance         | N/A in              | N/A mm            |
| Bearing Type             | Jeweled Bushings    |                   |
| Moving Mass              | 0.03 lbs            | 12 grams          |
| Total Mass               | 0.11 lbs            | 49 grams          |
| Resistance @ 20C         | 3.5 ohms            |                   |
| Inductance @ 20C         | 0.25 mH             |                   |
| Electrical Time Constant | 0.07 msec           |                   |
| Motor Constant           | 0.38 lbs/sqrt(watt) | 1.69 N/sqrt(watt) |
| Force Constant           | 0.72 lbs/amp        | 3.2 N/amp         |
| Back EMF                 | 0.08 V/ips          | 3.2 V/m/sec       |
| Force @ 100% Duty        | 0.5 lbs             | 2.2 N             |
| Power @ 100% Duty        | 2 watts             |                   |
| Current @ 100% Duty      | 0.7 amps            |                   |
| Force @ 10% Duty         | 1.5 lbs             | 6.7 N             |
| Power @ 10% Duty         | 16 watts            |                   |
| Current @ 10% Duty       | 2.1 amps            |                   |