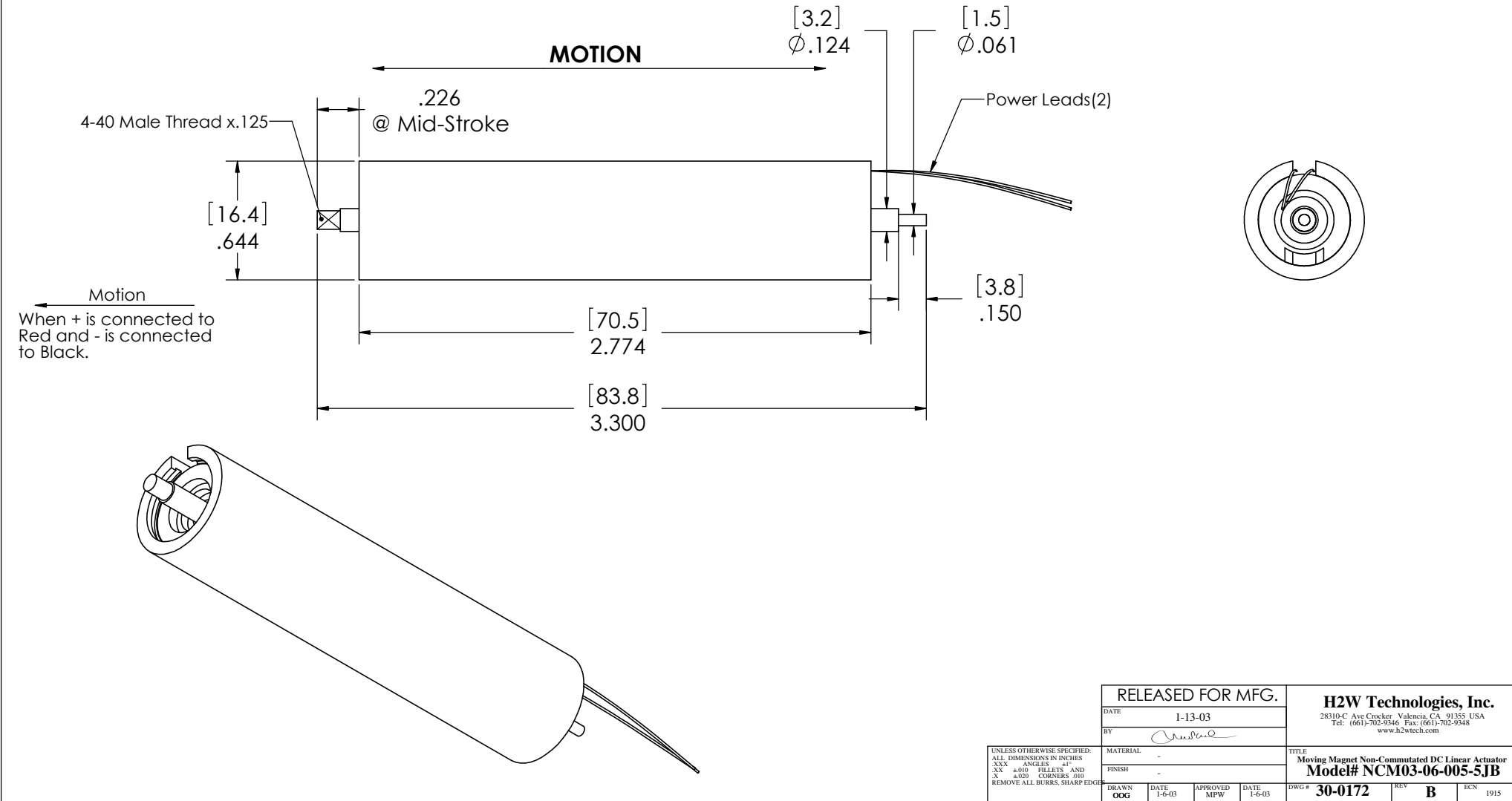


These drawings and specifications are the property of H2W Technologies, Inc. They are issued in confidence and shall not be reproduced, copied, or used without written permission from H2W Technologies, Inc.



These drawings and specifications are the property of H2W Technologies, Inc. They are issued in confidence and shall not be reproduced, copied, or used without written permission from H2W Technologies, Inc.

<b>MOVING MAGNET NON-COMM ACTUATOR SPECIFICATIONS</b>		
Motor P/N	NCM03-06-005-5JB	
Stroke	0.32"	8.1 mm
Radial Clearance	N/A in	N/A mm
Bearing Type	Jeweled Bushings	
Moving Mass	0.03 lbs	15 grams
Total Mass	0.24 lbs	109 grams
Resistance @ 20C	5.0 ohms	
Inductance @ 20C	0.54 mH	
Electrical Time Constant	0.11 msec	
Motor Constant	0.35 LBS/SQRT(Watt)	1.56 N/SQRT(Watt)
Force Constant	0.79 LBS/Amp	3.5 N/Amp
Back EMF	0.09 V/ips	3.5 V/m/sec
Continuous Force	0.5 LBS	2.2 N
Max Power @ 100% Duty	2 Watts	
Peak Force	1.5 LBS	6.7 N
Max Power @ 10% Duty	18 Watts	

**H2W Technologies, Inc.**  
 28310-C Ave Crocker, Valencia, CA, 91355 USA  
 Tel: (661) 702-9246 Fax: (661) 702-9248  
 www.h2wtech.com

UNLESS OTHERWISE SPECIFIED:  
 ALL DIMENSIONS IN INCHES  
 XXX ANGLES 1/4"  
 XX .010 FILLETS AND  
 X .020 CORNERS 1/16"  
 REMOVE ALL BURRS, SHARP EDGES

MATERIAL			
FINISH			
DRAWN	DATE	APPROVED	DATE
ODG	1-6-03	MPW	1-6-03

TITLE	Moving Magnet Non-Commutated DC Linear Actuator Model# NCM03-06-005-5JB		
DWG #	30-0172	REV	B
SHEET	2 of 2		