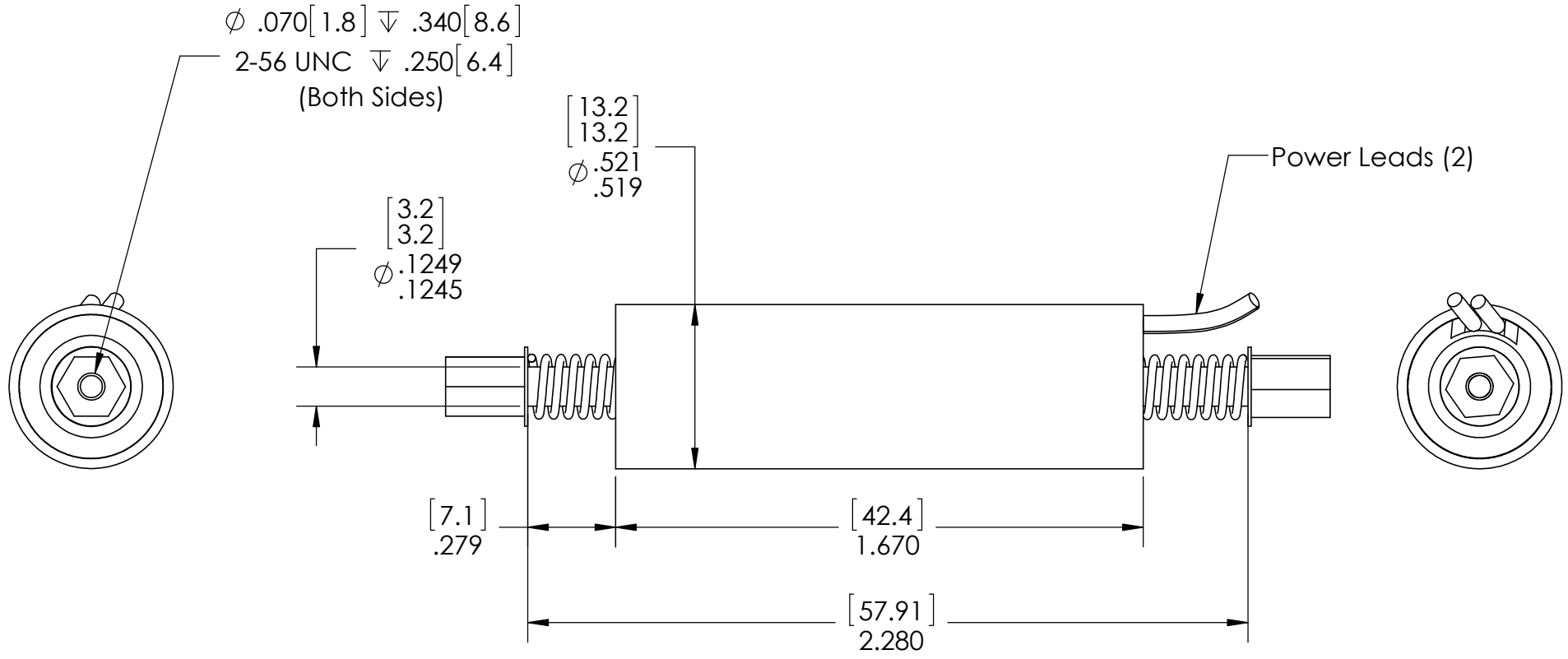
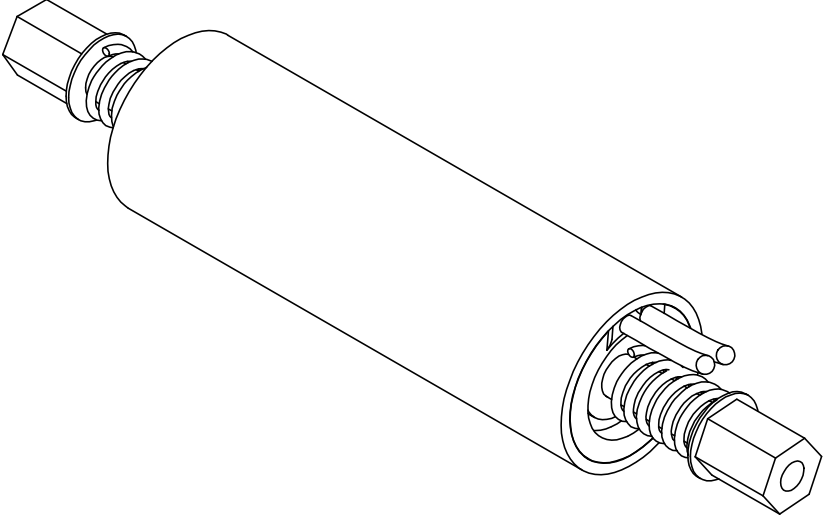


These drawings and specifications are the property of H2W Technologies, Inc. They are issued in confidence and shall not be reproduced, copied, or used without written permission from H2W Technologies, Inc. (www.h2wtech.com)



Shown at Midstroke



H2W Technologies, Inc.
 26470 Ruether Ave. #102 Santa Clarita, CA 91350 USA
 Tel: (661)251-2081 Fax: (661)251-2067
 www.h2wtech.com

UNLESS SPECIFIED OTHERWISE: All dimensions are in inches Standard Tolerances are as follows .XXX ±.005 ANGLES ±1° .XX ±.010 FILLETS .010 X ±.020 CORNERS .010 Remove All Burrs and Sharp Edges				MATERIAL				TITLE		
				FINISH				Non-Commutated DC Linear Actuator Model #NCM02-05-005-4JBMS		
DRAWN	DATE	APPROVED	DATE	DWG #	REV	SHEET				
JRM	11-17-11	MPW	11-17-11	30-1011		1 of 2				

NON-COMM ACTUATOR SPECIFICATIONS		
Motor P/N	NCM02-05-005-4JBMS	
Device Type	Moving Magnet	
Stroke	0.15 in	3.8 mm
Radial Clearance	N/A in	N/A mm
Bearing Type	Jeweled Bushings	
Moving Mass	0.03 lbs	12 grams
Total Mass	0.11 lbs	49 grams
Resistance @ 20C	3.5 ohms	
Inductance @ 20C	0.25 mH	
Electrical Time Constant	0.07 msec	
Motor Constant	0.38 lbs/sqrt(watt)	1.69 N/sqrt(watt)
Force Constant	0.72 lbs/amp	3.2 N/amp
Back EMF	0.08 V/ips	3.2 V/m/sec
Force @ 100% Duty	0.5 lbs	2.2 N
Power @ 100% Duty	2 watts	
Current @ 100% Duty	0.7 amps	
Force @ 10% Duty	1.5 lbs	6.7 N
Power @ 10% Duty	16 watts	
Current @ 10% Duty	2.1 amps	