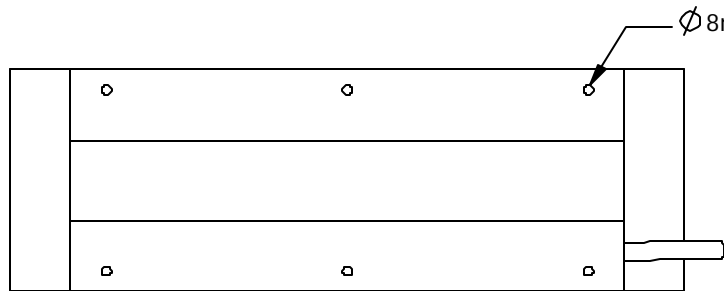
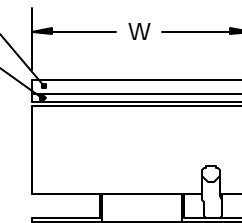


These drawings and specifications are the property of H2W Technologies, Inc. They are issued in confidence and shall not be reproduced, copied, or used without written permission from H2W Technologies, Inc.



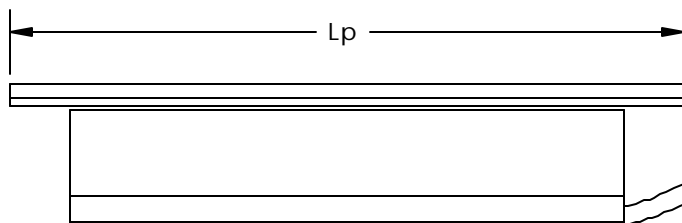
Ø8mm Mounting Holes

Steel Back Iron
Aluminum or Copper Reaction Plate

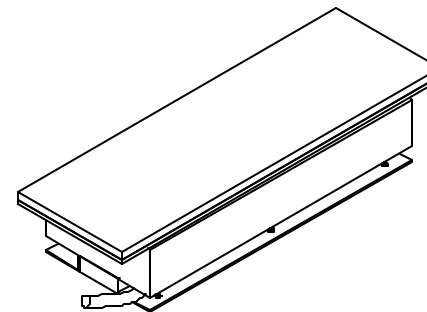


Single Sided End View

$$L_p = L + \text{Stroke}$$



AC Power and OL Protector Leads



H2W Technologies, Inc.

28310-C Ave Crocker Valencia, CA 91355 USA
Tel: (661)-702-9346 Fax: (661)-702-9348
www.h2wtech.com

UNLESS SPECIFIED OTHERWISE:
All dimensions are in inches
Standard Tolerances are as follows
XXX ±.005 ANGLES ±1°
XX ±.010 FILLETS AND
X ±.020 CORNERS .010
Remove All Burrs and Sharp Edges

MATERIAL			
FINISH			
DRAWN	DATE	APPROVED	DATE
OOG	12-3-01	FGW	12-3-01

TITLE		
Single Sided Induction Motor		
DWG #	REV	ECN