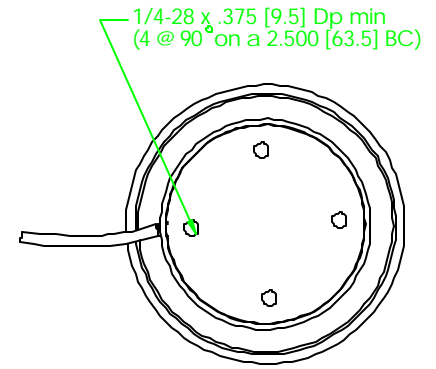
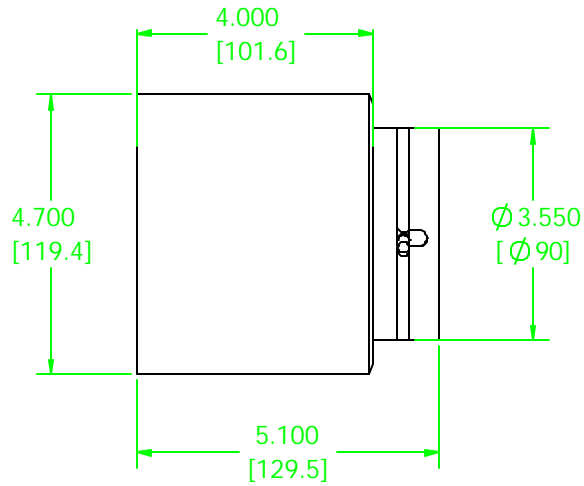
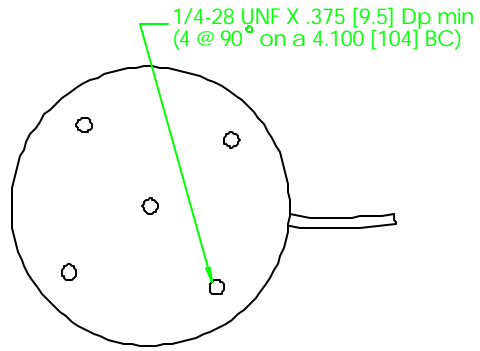
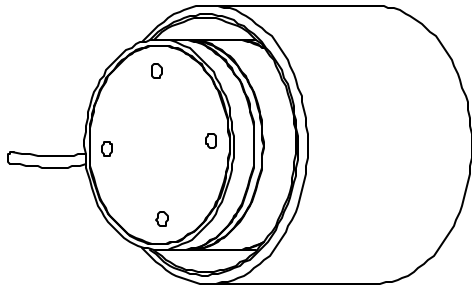


These drawings and specifications are the property of H2W Technologies, Inc. They are issued in confidence and shall not be reproduced, copied, or used without written permission from H2W Technologies, Inc.



$K_m = .84 \text{ lbs } [3.73\text{N}] / (\text{watt})^{1/2}$
 Stroke = $\pm .40 [10.2]$
 Radial Clearance/side = $.375 [9.5]$



H2W Technologies, Inc.
 28310-C Ave Crocker Valencia, CA 91355 USA
 Tel: (661)-702-9346 Fax: (661)-702-9348
 www.h2wtech.com

UNLESS SPECIFIED OTHERWISE: All dimensions are in inches. Standard Tolerances are as follows: XXX = .000 ANGLES ±.1° XX = .010 FILLETS AND X = .010 CORNERS ±.010 Remove All Burs and Sharp Edges		MATERIAL		TITLE	
DESIGNED BY		APPROVED BY		DATE	
000	12-4-01	FGW	12-4-01	NCC Non Commutated DC Linear Actuator	