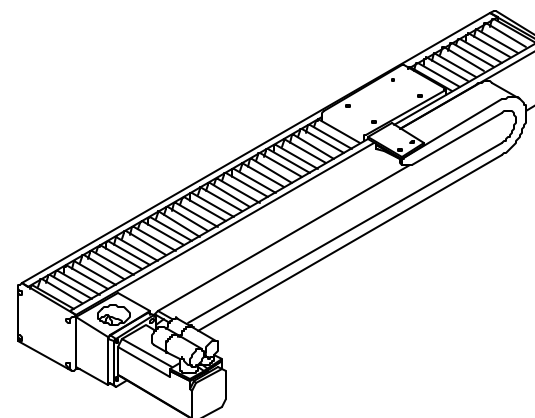
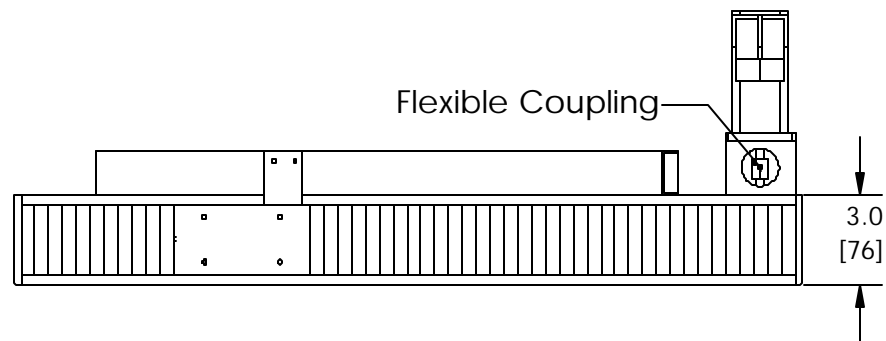
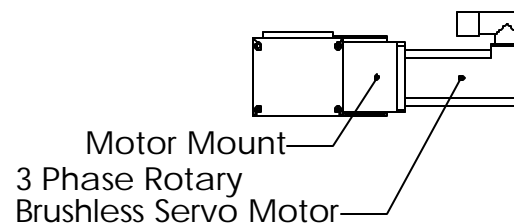
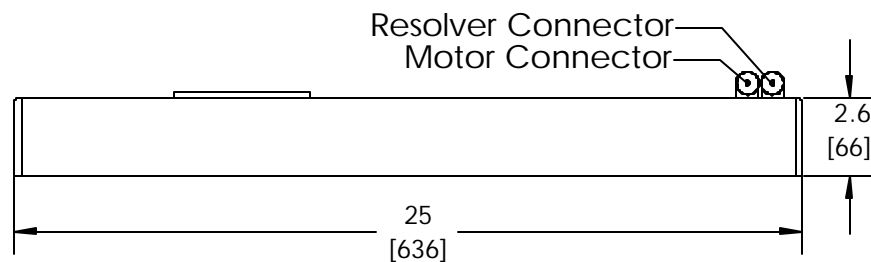


These drawings and specifications are the property of H2W Technologies, Inc. They are issued in confidence and shall not be reproduced, copied, or used without written permission from H2W Technologies, Inc.



H2W Technologies, Inc.

28310-C Ave Crocker Valencia, CA 91355 USA
Tel: (661)-702-9346 Fax: (661)-702-9348
www.h2wtech.com

UNLESS SPECIFIED OTHERWISE:
All dimensions are in inches
Standard Tolerances are as follows
XXX ±.005 ANGLES ±1°
XX ±.010 FILLETS AND
X ±.020 CORNERS .010
Remove All Burrs and Sharp Edges

MATERIAL		TITLE	
FINISH		BL Positioning Stage	
DRAWN OOG	DATE 12-20-01	APPROVED FGW	DATE 12-20-01

DWG #	REV	ECN
-------	-----	-----